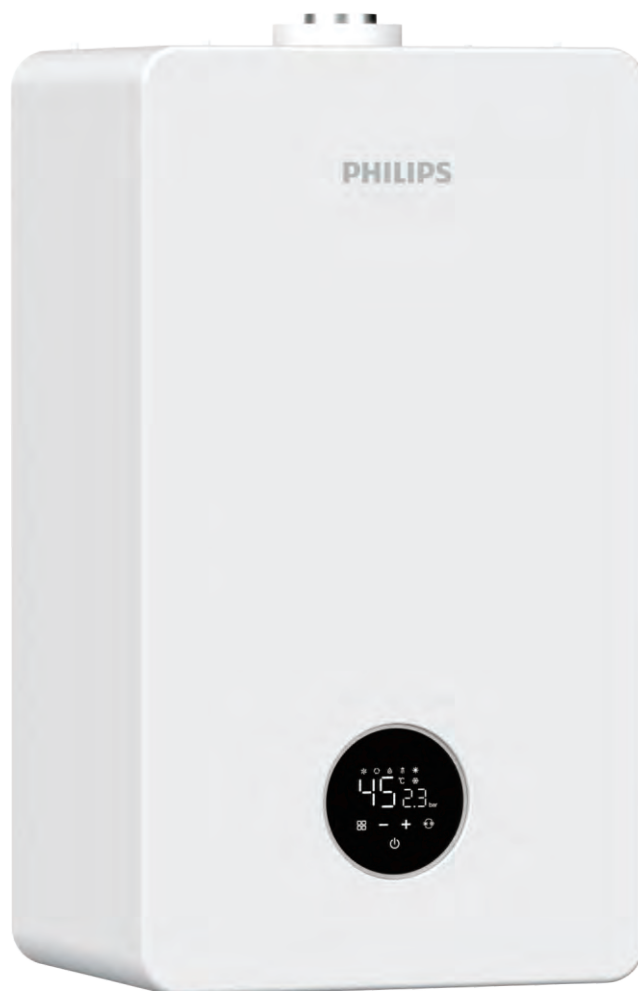


# PHILIPS

## Gas boiler

AWH7305/51(B20C1)  
AWH7306/51(B24C1)



Installation and operation instructions  
Инструкции по монтажу и эксплуатации

# Content

User notice .....	3
Dimensions Diagram .....	4
Installation Instructions .....	5
Smoke pipe installation .....	12
Electrical Schematic .....	12
Structure Introduction .....	15
How to use .....	16
Display Description .....	17
Mode settings .....	19
Cautions .....	20
Inspection and maintenance .....	24
Judgment and handling of abnormal faults .....	26
Technical parameters .....	27

## User notice

### 1. Risk warning:

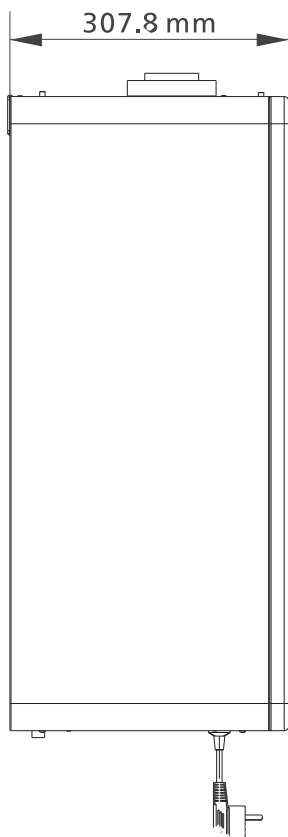
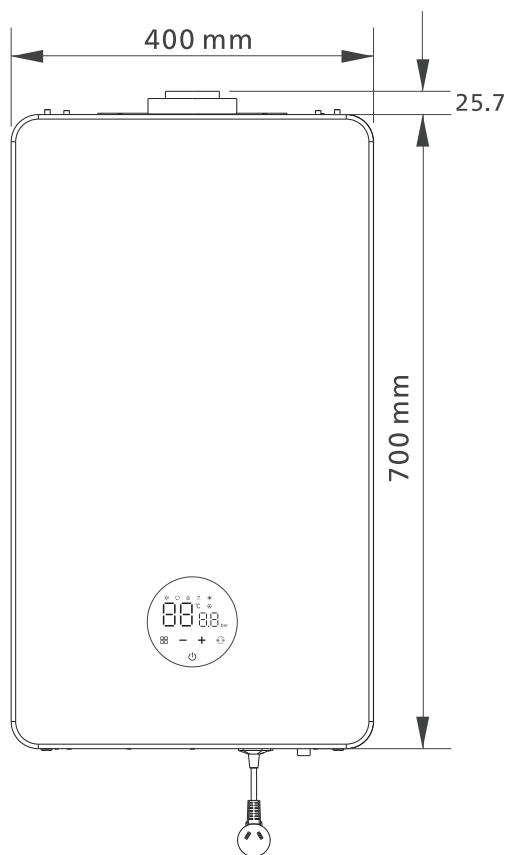
- Improper installation will cause harm to people, animals and objects.
- The boiler should be installed in strict accordance with the instructions and relevant regulations.
- Boilers are strictly forbidden to be installed in bedrooms, living rooms and bathrooms.
- The boiler should not be concealed.
- Original fittings and flues should be used to avoid reducing the safety of the product.
- It is strictly prohibited to replace a coaxial flue with a single flue.
- Do not buy boilers modified by distributors.
- The gas stop valve should be installed in front of the gas inlet of the boiler.
- The boiler should not be installed near by induction cooker, microwave oven and other strong electromagnetic radiation appliances.
- The distribution system at the installation place should have ground wires; The socket which connected to the boilers should not be set near by water or shower facilities in the room; The plug and socket shall pass the relevant certification.
- Only the manufacturer's authorized agents or technicians can repair, replace parts or machine.
- After the product is repaired, the maintenance and inspection personnel should mark on boiler.
- It is strictly prohibited to remove any seal on the boiler.
- People with incapacity or limited capacity should not operate boilers, such as children.
- Users should not operate pressure relief valves and drain valves.
- Do not use corrosive cleaners to clean boilers.
- In order to avoid freezing of boilers or pipes, when the boiler is shut down for a long time in winter, all the water in the boiler should be emptied or anti-freeze should be added. When the boiler is not used for a short time, it should be ensured that the boiler is in a state of electrification and gas.

### 2. Safety cautions:

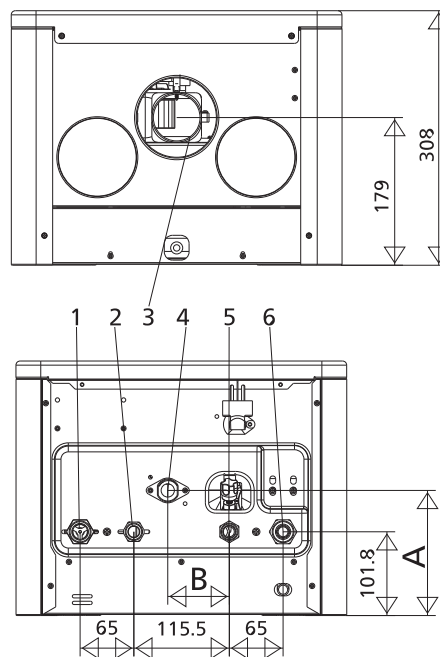
#### **Warning:**

- Read the manual carefully when installing and using the boiler, and keep the manual well for future reference.
- Users shall comply with the "Warnings".

# Dimensions Diagram



## Connection Diagram

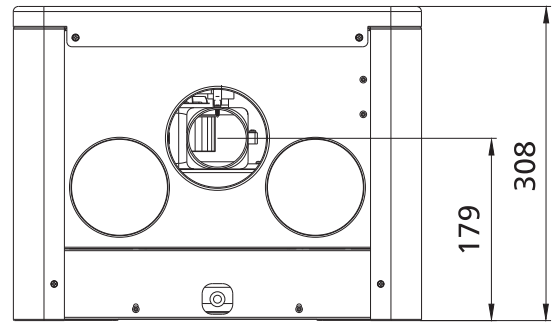
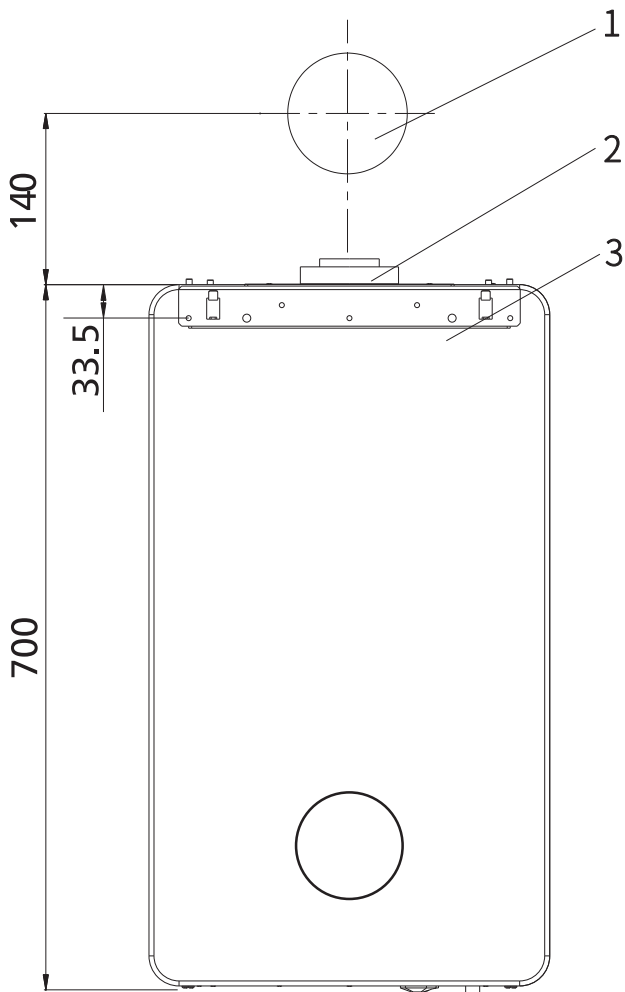


- |                    |       |                        |            |
|--------------------|-------|------------------------|------------|
| 1.CH outlet        | G3/4" | 5.CH backwater         | G3/4"      |
| 2.DHW water outlet | G1/2" | 6.Pressure relief pipe | Ø12mm      |
| 3.Gas inlet        | C     | 7.Exhaust pipe         | Ø60/Ø100mm |
| 4.Water inlet      | G1/2" |                        |            |

Model	A	B	C
AWH7305/51(B20C1)	151.8	74.5	G1/2"
AWH7306/51(B24C1)	131.8	58	G3/4"



## ■ Gas boiler smoke pipe installation dimensions



### Description

- 1.Pipe installation hole
- 2.Pipe connection
- 3.Installation bracket

## Installation instructions

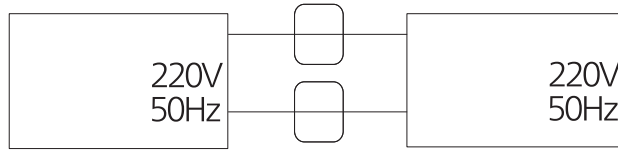
■ Pay attention to the gas type and power supply specifications

■ Preparation before installation

### ⚠ **Attention:**

- The installation of this equipment must be carried out by professionals approved by our company in accordance with this manual and local rules and regulations. Please read the instructions carefully before installation.
- The installation method must comply with local rules and regulations or relevant technical specifications, so as to avoid harm to people, animals and objects due to improper installation.
- Please use original accessories to ensure product performance.

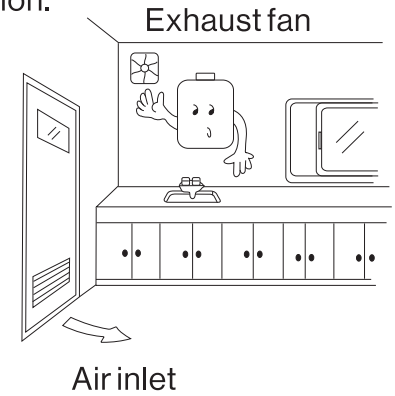
- Pay attention to the gas type and power supply specifications
- Please choose the gas boiler according to the gas type and electrical parameters (voltage, frequency) marked on the gas boiler (performance specification sticker)



- Inconsistent gas types are still installed and used, which will cause fire accidents or incomplete combustion, resulting in carbon monoxide poisoning and deflagration.

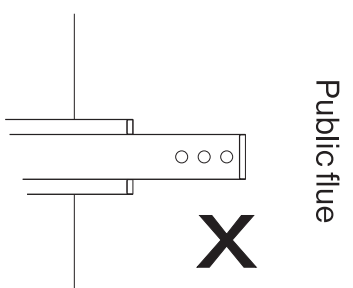
■ Installation place

- The gas boiler should be installed in a well-ventilated place.
- Please ensure that the gas boiler install in a fully inspect the maintenance space, and keep an appropriate space in front and bottom of the gas boiler.
- The supplied pipe must be used as the smoke exhaust pipe.

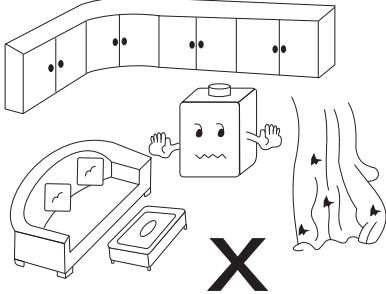


■ Forbidden place to install

- It is strictly forbidden to install the air supply and exhaust pipe in the public flue.



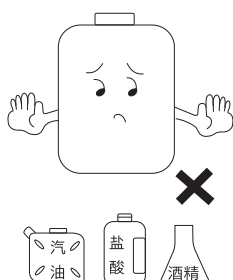
- It is strictly prohibited to install in bedrooms, hanging cabinets, closets, curtains, furniture and other flammable materials



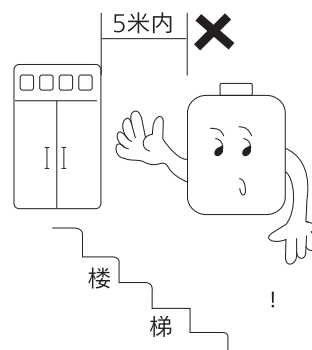
- Do not install over a gas stove or other heat source.



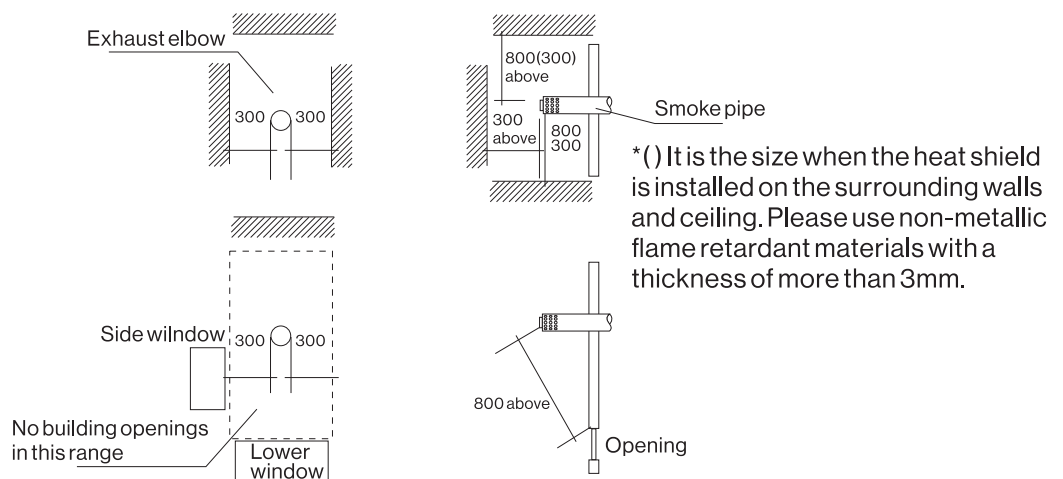
- Do not install it near electrical equipment or flammable products (such as gasoline, organic solvents, glue) and corrosive chemicals (such as alcohol, hydrochloric acid, sulfur, etc.) to prevent fire disasters or corrosion of the gas boiler.



- It is strictly prohibited to install near stairs and safety exits (beyond 5m is not restricted)



- Exhaust & gas supply
- The gas boiler uses the accompanying exhaust pipe, which has the best exhaust effect.
- This exhaust pipe is only for gas boiler, please do not change its shape and structure.
- Please confirm that the distance between the installation place of the gas boiler and the exhaust end pipe is within the specified distance (within 3m).
- The gas boiler installed place should have an air exchange connect with outside.
- The effective area of the air exchange should be bigger than the cross-sectional area of the exhaust pipe.
- The exhaust pipe of the gas boiler is strictly forbidden to install in the public flue
- Installation standard of exhaust pipe
- The exhaust pipe must connect with the outside.
- If there is a possibility of snow, please pay attention to take some measures during installation to prevent this situation.
- Do not place dangerous materials at the exit of the exhaust pipe.
- The exhaust pipe should be installed at a slightly downward angle.
- Please do not install at an upward angle to prevent rain water go inside from the exit of the exhaust pipe.
- If there's combustible material outside the wall, the exhaust pipe must be kept at least 300mm away from it, and the direction of smoke blowing out must be kept at least 800mm away from it, and no windows can be opened within the above range.

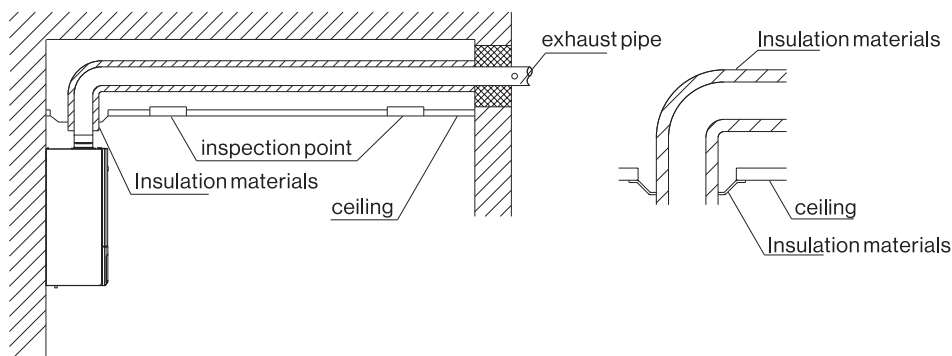


■ Installation requirements for exhaust pipes

- The distance between exhaust pipe and inflammable materials

Through part	Good ventilation space	Wrap with non-metallic flame retardant material with a thickness more than 20mm
	Use iron fixing plates	

- The distance between the exhaust pipe and the combustibles during hidden installation
  - \*When the exhaust pipe is installed in a concealed location such as the ceiling, no air leakage is allowed at the connection of the smoke exhaust pipe, and please wrap it with a flame-retardant material.
  - \*In order to inspect and repair the exhaust pipe in the hidden place easily, please reserve an inspection point during installation.
  - \*In order to check the exhaust pipe smoothly, please set up more than two inspection points. If the concealed part passes through the wall, the inspection point should be set near the wall.



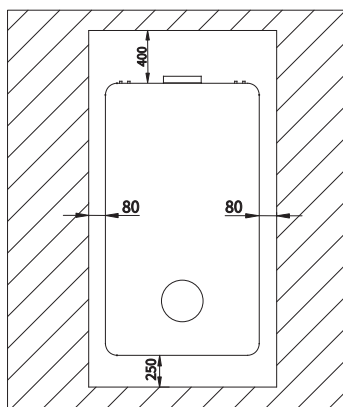
■ Minimum space for installation place and maintenance

In order to normal maintenance in the future, and ensure that the outer hot surface of the gas boiler does not affect the installation wall and surrounding combustibles during operation, the gas boiler needs to meet minimum space as below figure during installation.

Side distance: 80mm

Down distance: 250mm

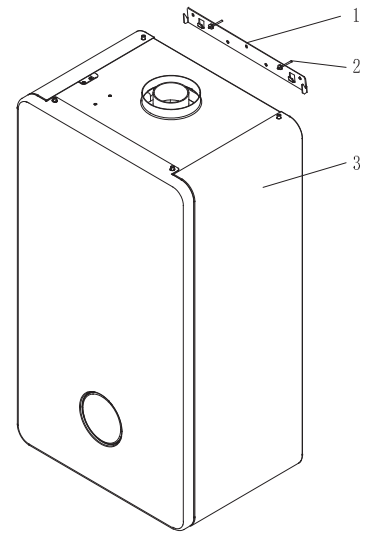
Top distance: 400mm



## Warning

- According to the "Regulations on the Installation and Maintenance of Gas Burning Appliances", the installation of the machine should comply with the shortest distance from combustibles. Do not place petroleum, gas and other flammable and combustible materials near the machine and exhaust pipe. In addition, when the spray tank is heated, the pressure inside the tank will rise, and there is a possibility of explosion;
- The gas boiler can be installed in a well-ventilated indoor area only, and cannot be installed or operated outdoors! Indoor installation cannot be installed in the bedroom, living room or concealed installation;
- If there is a non-heat-resistant wall near the gas boiler, such as a wooden wall, heat insulation protection measures must be adopted;
- If a TV and radio are placed near the machine, electromagnetic waves will interfere with the gas boiler working. Please stay away from them.

- Installation of gas boiler
- Punch two holes on the wall according to the hole distance of the hanging installation of the gas boiler (as shown in the dimension drawing).
- Use the expansion screws (2) and expansion tubes (2) attached to the gas boiler to install and fix the gas boiler hanging bracket (1) on the wall.
- Lift the gas boiler (3) to the top surface slightly higher than the hanger height, and then slowly move the machine so that the hanger hooks the hanging hole to ensure that the hanging both ends of the frame are hooked to the machine at the same time. When lifting the gas boiler, be sure to hold the bottom and put it down gently to prevent damage to the gas boiler caused by virtual hanging!



- Connection of gas pipeline

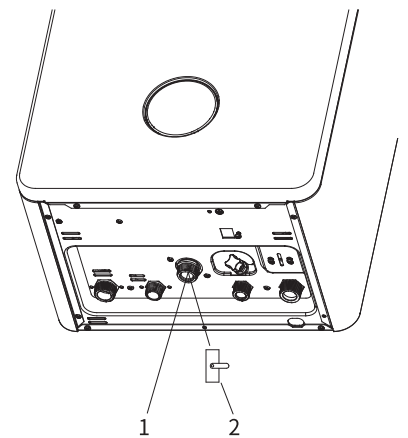
Before connecting the gas pipeline, it must be connected to the gas pipeline interface (1) Install the gas shut-off valve (2) at the front.

The gas boiler uses natural gas as the gas source.

The gas pipeline interface (1) is a G3/4" external thread interface, which should be connected with a gas-specific stainless steel bellows to supply gas.

The gas supply pressure requirement is 1274Pa. Users need to use a gas meter with sufficient residual gas capacity.

- Purge the gas pipeline before use, which will help protect the gas valve from damage;
- When connecting the gas line to the gas boiler, please connect to the only correct gas connection (1), and use a gas-specific gasket to prevent gas leakage.
- Before commissioning test, exhaust the air in the gas pipeline.
- Before using the gas boiler, you must check whether there is any leakage in the gas pipeline.



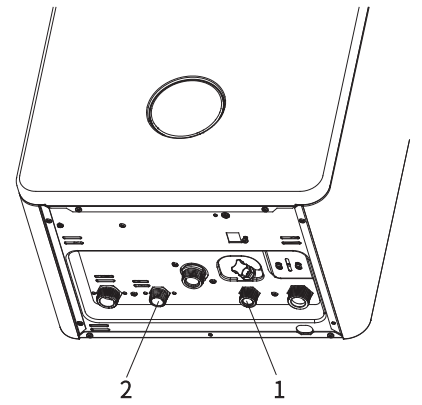
### Attention

In case of mistakenly connecting the water pipe to the gas pipeline interface (1), do not use it just by changing the pipe, otherwise accidents such as gas leakage may occur. If the piping is connected incorrectly, please contact the local gas company.

■ Connection of domestic hot water pipeline

Cold water inlet (1) and hot water outlet (2) are G1/2" external thread interfaces. When installing water pipes, use the special gasket for water pipes to prevent water leakage.

Before connecting the cold water pipe with the gas heating hot water furnace, the dirt in the pipe should be cleared through water first, and then connected with the gas heating hot water furnace to prevent dirt blockage.



● Cold water inlet piping:

1 The minimum operating water pressure of this machine is 0.04MPa. For normal use, please ensure that the water supply pressure is above 0.04MPa. The cold water inlet should be directly piped by the water pipe.

2 In order to enable the machine to be removed, please connect with a connection joint or a metal hose. Please do not connect the cold and hot water pipes wrong.

● Hot water outlet piping:

1 Please use a metal pipe for the hot water outlet. If you use a heat-resistant plastic pipe, it may break, so please do not use it.

2 For machines installed in frequently used places, the hot water outlet pipe should be as short as possible.

3 It is necessary to increase the water supply pressure when piping to upstairs.

4 Please use a mixing faucet with low water flow resistance and a shower with low pressure drop.

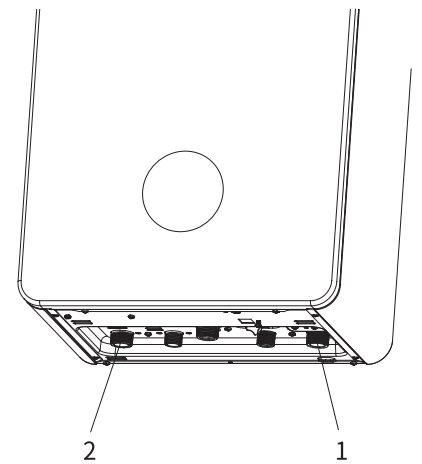


**Attention**

Please ensure that the connection of the cold water inlet and hot water outlet pipes of the system is carried out under no pressure to avoid leakage of the system due to pressurization.

■ The connection of the heating pipeline

Both the heating water inlet (1) and the heating water outlet (2) are G3/4" external threaded ports. When connecting the heating water pipe, please use the special sealing gasket for the water pipe to prevent water leakage. When installing the heating pipe, please use the distributor. The distributor, the branch pipe of the distributor should be connected downwards, the distributor should be insulated, and then connected to each room (the branch pipe should be used to each room. 9-15mm pipe), when heating with the floor, the heating pipeline should be buried. In case of leakage, it will cause inconvenience to the repair. Please unify the diameters of the heating return pipe and the heating outlet pipe, and please try to shorten the length of the intermediate pipe to reduce heat loss. If the area of the heating room is different and very large, please use the method of adding pipelines in a large room to ensure that the temperature of each room is uniform. The outside of the pipeline must be wrapped with 25mm thick insulation material to prevent the pipeline from freezing (especially in cold areas should exceed 50mm).



Note: The maximum working water temperature of the heating system of the whole machine is 80°C.

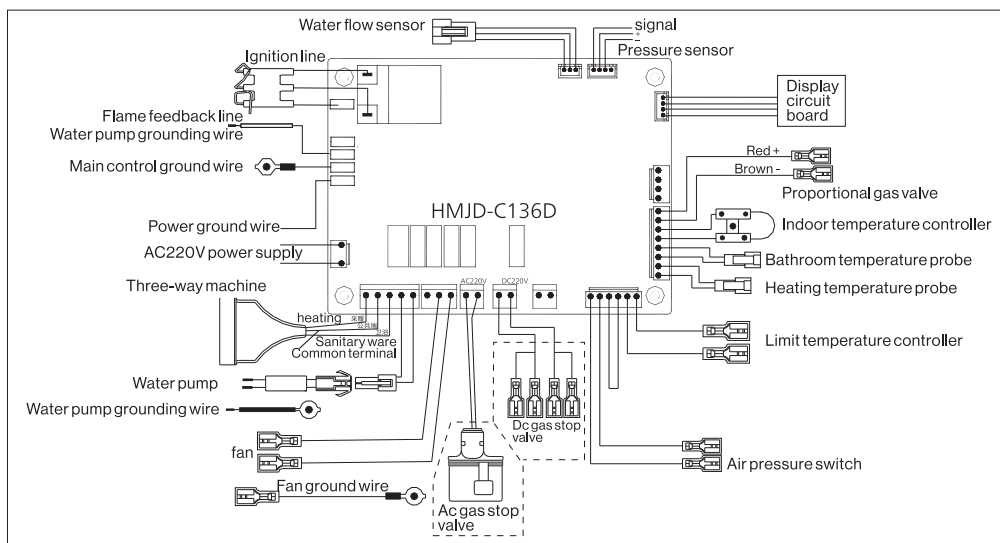


**Attention**

Before the heating pipeline is connected, the heating pipeline should be cleaned and emptied to ensure that there are no iron filings, sand particles and other impurities in the pipeline. Please ensure that the heating water outlet pipe and the heating water return pipe of the heating system are connected without pressure to avoid leakage of the heating system.



- Electric control system connection
- The wiring system of the building should have a grounding wire, and the grounding wire of the appliance should be firmly and reliably grounded; the switch connected to the appliance should not be set in a room with a bathtub or shower equipment; plugs and sockets should pass relevant certification (Class I electrical appliances)
- Electrical terminal wiring diagram



### ⚠ Warning

- 1 This wiring diagram is only for the maintenance personnel of our company!
- 2 For the life and property safety of you and your family, please do not plug in and out by yourself!

## Smoke pipe installation

### ■ Statement

We disclaim all liability for any damages and injuries resulting from failure to follow installation instructions or regulations.

This installation and operation manual is used to guide the selection and installation of Philips gas boiler AWH7305/AWH7306 series flue pipes. It can be used in conjunction with the gas boiler manual to ensure the smooth installation of the entire gas boiler system.



### Attention

- During the installation of flue pipes, relevant laws, regulations and guidelines must be followed.
- The installation of the flue pipe can only be carried out by professionals authorized by Philips, and the correct installation of the flue pipe system must be ensured.
- If the flue pipe is installed on the roof, the condensed water in the flue pipe may freeze on the roof or roof structure in severe weather conditions. This should be taken into account during installation to ensure that ice formed by condensation does not fall from the roof. During installation, make sure that no iron filings, plaster residues, etc. are left in the flue system.
- When installing smoke pipes, make sure that all smoke exhaust pipes used are made of the same material. (e.g. stainless steel)
- During the entire service life of this gas boiler, if it needs to be replaced or changed, it must be operated by the manufacturer or authorized professionals, and unauthorized changes are not allowed.

Note: The flue pipes of this series of wall-hung boilers cannot be installed in public flues.

■ Installation Precautions

- The diameter of the exhaust pipe used is Ø60/Ø100mm, please do not use the exhaust pipe with different diameters. (Including the total length of the random standard 1 meter 1 bent smoke pipe)

AWH7305	3 meters 2 bends
AWH7306	

- If you need to add a straight pipe or a curved pipe, please use the following formula to calculate:

$$D=L+M \times 2$$

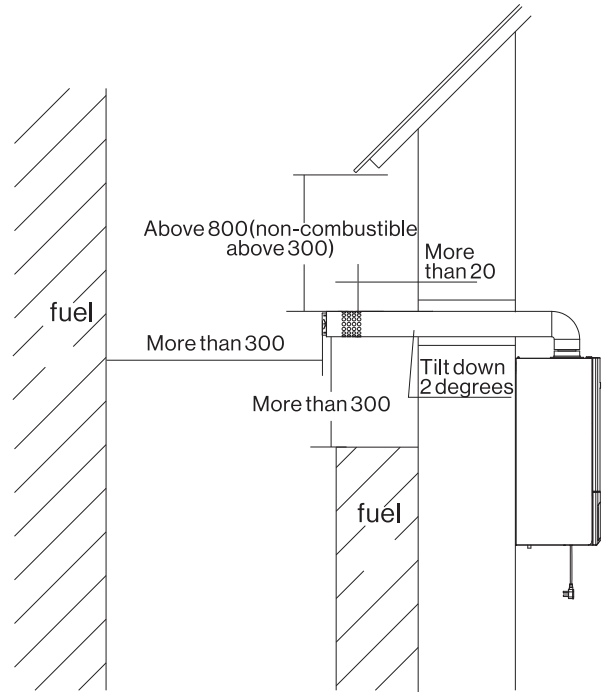
L: the length of the connecting exhaust pipe (m)


M: the number of bends (pieces) (not included in the initial bend) When the value of D is 7, the water heater can work normally.

■ Standard installation example

- Please refer to the figure on the right when installing the exhaust pipe.

\* The dimensions in brackets are the dimensions when the heat shield is installed on the surrounding walls and ceilings. Please use non-metallic flame-retardant materials with a thickness of 3mm or more for the heat shield.(unit mm)



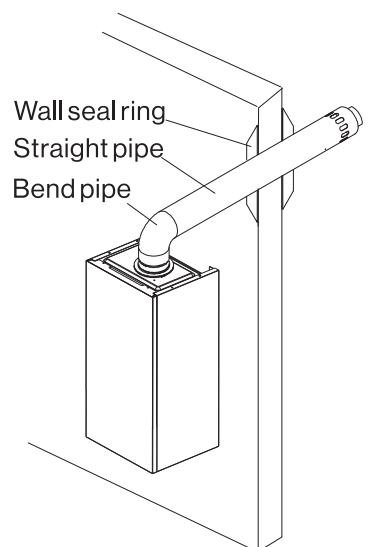


**Attention**

The outlet of the flue pipe of the gas boiler is inclined downward 2 degrees, to prevent the pouring of condensate and rainwater. After the installation of the smoke pipe is completed, the installer should mark the position of the air supply and exhaust system of the machine.

**Smoke pipe installation**

- Exhaust pipe installation diagram
- Make a round hole with a diameter of 120mm in the wall (for non-combustible materials).
- As shown in the installation diagram on the right, fix the exhaust pipe extending from the outside of the house into the house.
- Please fill the gap between the exhaust pipe and the wall with flame retardant materials.
- Please install the wall sealing ring first.
- Fix the mounting rack of the heating water heater on the wall, hang the heating water on the mounting rack, install the 90° elbow on the horizontal smoke pipe, and then install the 90° elbow together with the straight pipe on the body.





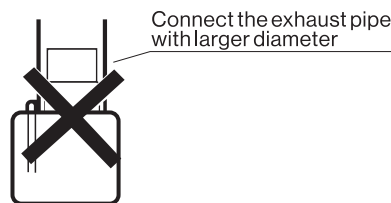
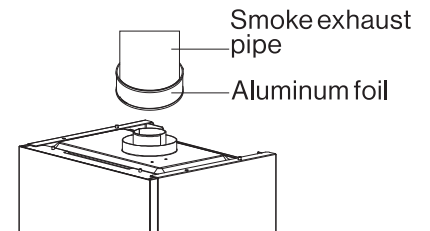
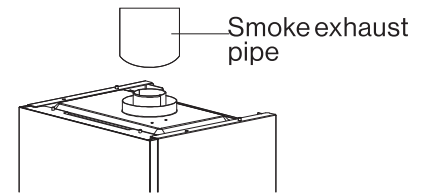
## ■ Exhaust pipe installation diagram

### **Warning**

- Before installing the smoke exhaust pipe, please check whether the smoke limiting ring is installed properly. (When the smoke pipe is extended, the smoke limiting ring needs to be removed)

Model	Smoke limiting ring specifications
AWH7305	47
AWH7306	45

- Connect the exhaust pipe to the exhaust fitting of the machine as shown in the illustration.
- Lock the exhaust pipe and exhaust joint with screws, and wrap the joint with aluminum foil.
- Do not install a exhaust pipe with a pipe diameter larger than  $\varnothing 100\text{mm}/\varnothing 60\text{mm}$  to prevent counter current dew droplets from flowing into the heating water heater.



- Do not install fire baffle and other parts inside the exhaust pipe to prevent the normal combustion and exhaust of the heating water heater.
- Please ensure that the exhaust pipe does not touch flammable materials such as curtains.
- Please do not use the exhaust pipe used for general ventilation to connect to the exhaust pipe of this heating hot water stove, so as to avoid danger.

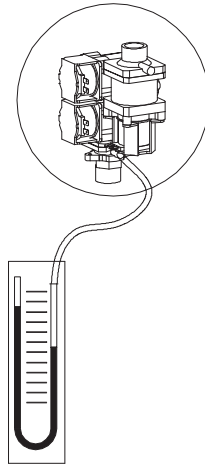
## **Preparation before operation**

- Precautions before gas regulation
- Before commissioning, check the relevant data on the nameplate and check whether the gas supply conditions meet the requirements of the machine;
- Whether the machine is securely installed and whether there are appliances around that affect its work;
- After the installation of the whole machine (including the smoke pipe), strictly check the gas pipeline and heating pipeline to ensure that there is no leakage before injecting water for debugging
- Commissioning can only be performed when the combustion chamber cover is in the closed state;
- After the commissioning is completed, the gas pipeline and gas valve should be strictly checked, otherwise the leakage of gas will be dangerous such as poisoning.

## ■ Details of smoke pipe parts

Check the gas inlet pressure of the gas boiler as follows:

- Open the control box;
- Close the gas shut-off valve of the gas boiler;
- Loosen the sealing screw on the gas valve;
- Connect digital pressure gauge or U -tube pressure gauge;
- Open the gas cut-off valve at the inlet of the gas boiler, and start the gas boiler (full load operation);
- Read the gas pressure value at this time through a digital pressure gauge or a U -tube pressure gauge.



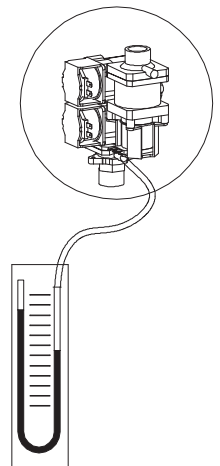
### **Warning**

If the gas intake pressure (natural gas) is lower than or exceeding 1274Pa, please do not adjust the gas valve, please notify the local gas company to solve, and lock the sealing screw of the gas valve, install the shell of the gas heating water heater furnace. Do not run the machine until the problem is resolved.

## ■ Inspection and adjustment of maximum input heat load

Check and adjust the maximum input heat load according to the following steps;

- Open the control box;
- Close the gas shut-off valve of the gas boiler;
- Loosen the sealing screw on the gas valve;
- Connect digital pressure gauge or U -tube pressure gauge;
- Open the gas shut-off valve at the inlet of the gas boiler;
- Start the gas boiler in the state of domestic hot water, and make it run at the maximum load and the minimum load respectively;
- Read the gas pressure value at this time through the digital pressure gauge or U -shaped tube pressure gauge, and compare it with the specification value in the specification table.



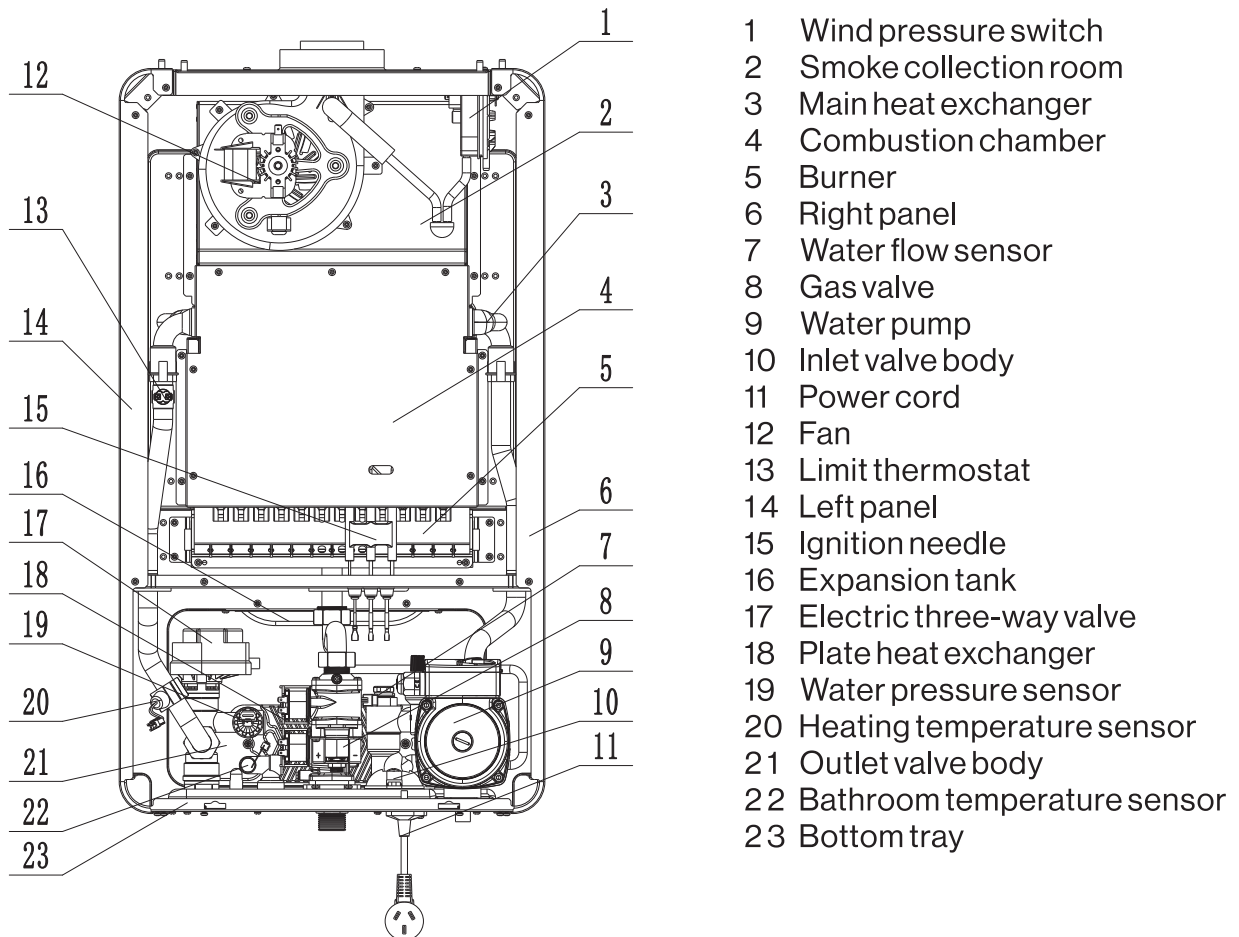
### **Warning**

The gas pressure check of the machine, the check and adjustment of the maximum and minimum heat load can only be debugged by professionals from Philips. After the adjustment, the sealing screw on the gas valve should be locked and marked.

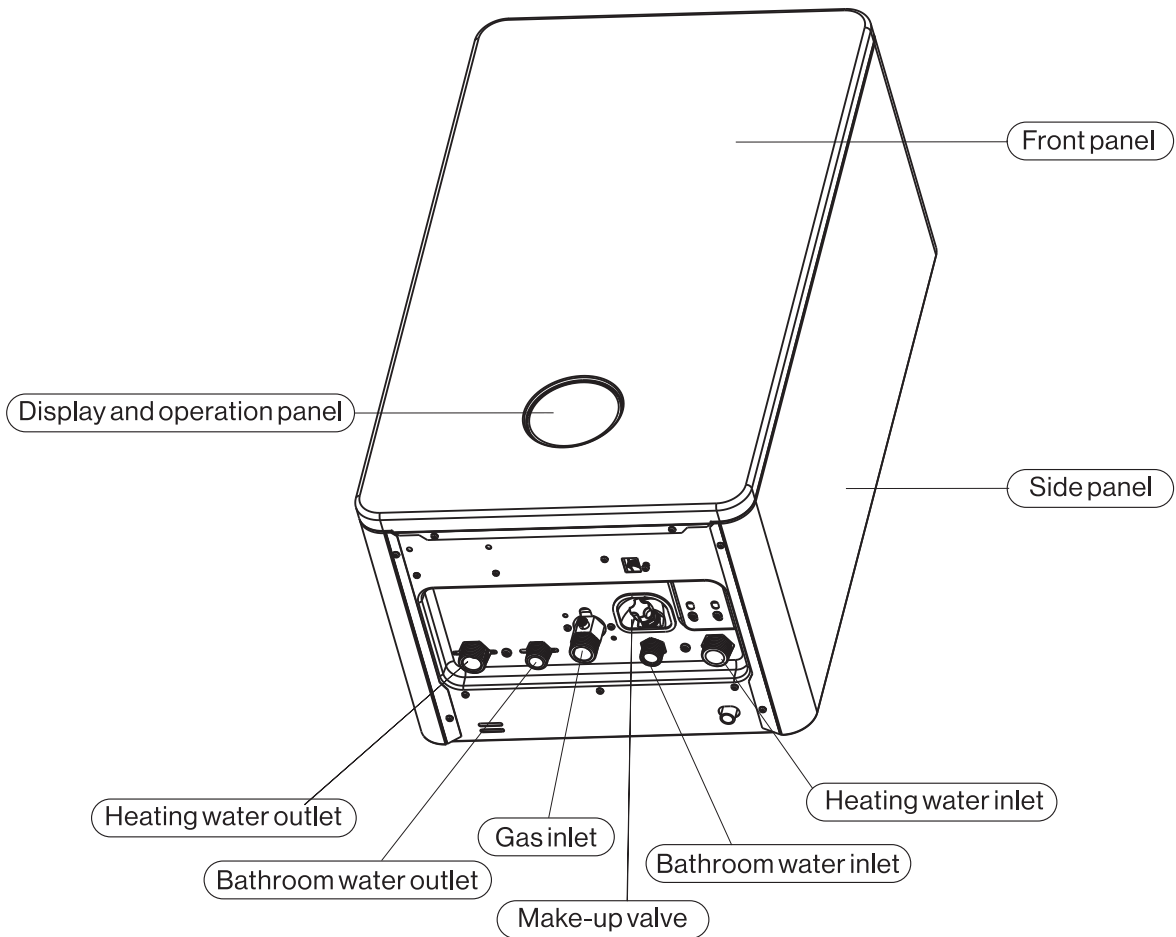
## Product Features Introduction

- Beautiful and stylish appearance, simple operation and easy installation.
- The structural performance of the whole machine adopts the design concept of stable and durable use, and the machine runs stably and reliably.
- The core components are provided by well-known manufacturers, and the quality is stable and reliable.
- Using high-lift shielded circulating water pump, outer rotor shaded pole fan, and balanced closed combustion system, 100% of the required air comes from the outside, and 100% of the combustion exhaust gas is discharged to the outside.
- Ultra-quiet combustion operation.
- One machine can be used for multiple purposes, meeting the needs of family heating and constant temperature domestic hot water. High comfort of hot water, satisfying different consumption.
- Multiple safe operation protections: dry burning protection, leakage protection, over-temperature protection, over-voltage protection, real-time monitoring of water pressure, automatic differential pressure bypass, floor heating system antifreeze protection, wind pressure protection, etc.

## Structure introduction

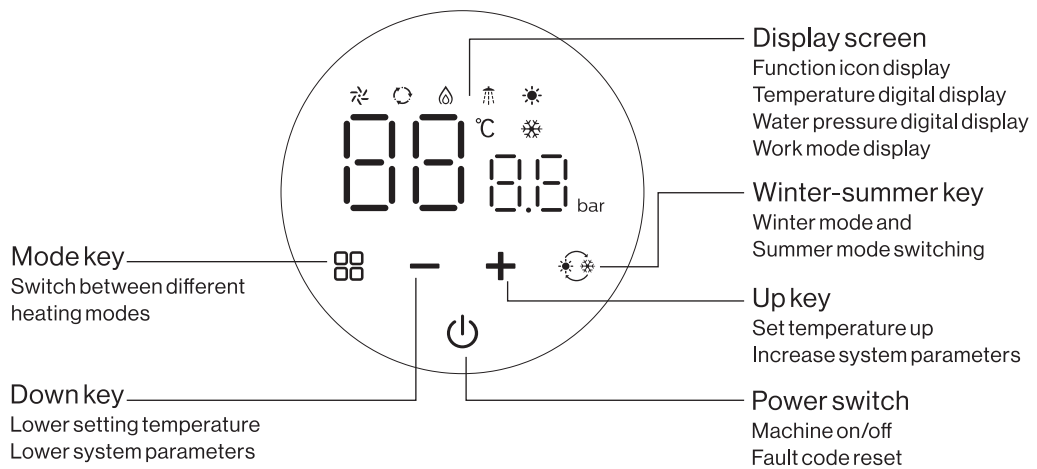


Note: This picture is only for reference , please refer to the actual product, if there is a change, no additional notice will be given.

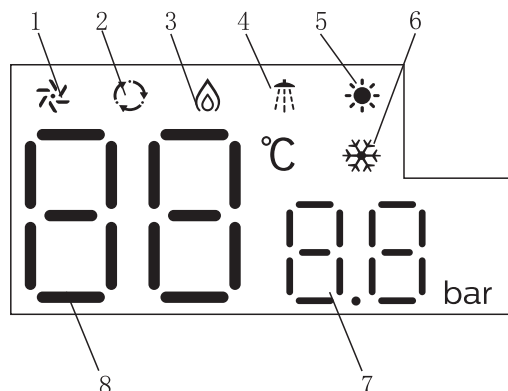


Note: This picture is only for reference, please refer to the actual product, if there is a change, no additional notice will be given.

## Usage method



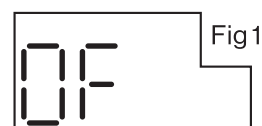
## Display Description



- 1 Fan icon
- 2 Mode running icon
- 3 Flame icon
- 4 Hot water on mode icon
- 5 Summer mode icon
- 6 Winter mode icon
- 7 Water pressure display and time minute display
- 8 Temperature display, program, fault code, time and hour display

## Startup and mode selection

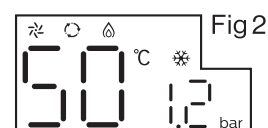
A Shutdown status: as shown in Figure 1 (at this time, the water replenishment of the heating system has been completed)



B Start the device: Press the power button to start the device, and the display will display the temperature and status set by the last operation, as shown in Figure 2.

C Temperature regulation

- Domestic hot water temperature adjustment: In winter/summer mode, if domestic hot water is used, press the up button/down button to adjust the domestic hot water temperature.
- Domestic hot water temperature adjustment range: 35°C ~ 60°C.
- Heating water temperature adjustment: In winter mode, press the up button/down button to adjust the water temperature of the heating system (note that this temperature is not the indoor temperature, adjust the floor heating to about 45°C and the heat sink to about 55°C according to actual needs. This temperature cannot be adjusted in summer mode.)
- Heating temperature adjustment range: 30°C ~ 80°C (radiator mode), 30°C ~ 60°C (floor heating mode), Each time the up/down button is pressed, the temperature can be raised or lowered by 1°C. If you need to adjust the temperature continuously, you can press the up/down button for a long time. After the target temperature is set, press the power button to save and exit the setting state. Or if there is no operation within 5 seconds, it will automatically save and exit the setting state.



D Winter/summer mode switch setting

Power-on state: Each time you press the winter/summer button, the winter and summer modes will switch once.

Winter mode: The display shows "❄" as shown in Figure 3, and "❄" flashes when the heating starts to work. If there is a demand for domestic hot water, the machine will immediately switch to the winter bathroom state, at this time "❄" always on "☀" flashes.

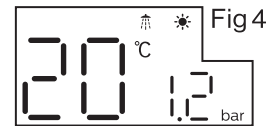







### Attention

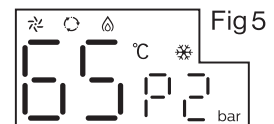
Before the heating furnace is running, please follow the water replenishment method to replenish the heating system.

Summer mode: The display screen is as shown in Figure 4. If there is a demand for domestic hot water, the display screen will flicker. After the domestic hot water is stopped, the appliance stops working and returns to the summer standby state.







### E Mode setting

In the heating state of winter mode, press the setting button “” as shown in Figure 5, you can enter the mode switching state, you can be in P0/P1/P2/P3/P4/P5 mode, the running time of the selected mode is according to the set time Running, running and the corresponding indicator light is on at the same time. In P0 mode, the icon “” is off, and in P1-P5 mode, the icon “” is on. (Note: The default operating mode of the machine is P0)



- Display standby display
- 30 seconds of no effective button operation, the brightness of the display screen will dim, and the back lights of other buttons will go out except the power button. Press any button to wake up the machine, and the display returns to normal brightness. If the timer has a fault or the antifreeze function starts, the display will return to normal brightness and display the corresponding code.
- Antifreeze display
- When the antifreeze function is turned on, the temperature display area of the display will display “F d”, as shown in Figure 6. The heating temperature and “F d” will be displayed alternately, “F d” will display 2S, and the heating system waterway temperature will display 3S.
- When the equipment is in normal use and the antifreeze function is not activated, “F d” will not be displayed.



- Reference time setting
- In the off state, press and hold the “” key for 3 seconds to enter the clock setting. After entering, the temperature display area will flash to display the hours, and the display of “10” on the pressure sensor means that the hours are set. Press the up and down keys to adjust Numerical value; press “” to switch to the minute setting, the temperature display area will flash the minutes, and the pressure sensor will display “01” to indicate that the minutes are set, press the up and down keys to adjust the value; press “” again to switch to hour setting. Press “” or leave the time setting after 10 seconds of no operation.



# Mode setting

## ■ P0/P1/P2/P3/P4/P5 mode running time

P0: all-day running mode

0	1	2	3	4	5	6	7	8	9	10	11
12	13	14	15	16	17	18	19	20	21	22	23

P1: Economic model

0	1	2	3	4	5	6	7	8	9	10	11
12	13	14	15	16	17	18	19	20	21	22	23

P2: Comfort mode

0	1	2	3	4	5	6	7	8	9	10	11
12	13	14	15	16	17	18	19	20	21	22	23

P3: Work mode (don't go home at noon)

0	1	2	3	4	5	6	7	8	9	10	11
12	13	14	15	16	17	18	19	20	21	22	23

P4: Lunch break mode (go to work but go home at noon)

0	1	2	3	4	5	6	7	8	9	10	11
12	13	14	15	16	17	18	19	20	21	22	23

P5: Holiday mode (don't go home at night)




0	1	2	3	4	5	6	7	8	9	10	11
12	13	14	15	16	17	18	19	20	21	22	23

Note: The dark part is the operating period of the heater














■ Precautions

In order to correctly use this heating water heater and prevent damage to life and property of oneself and others, various legend marks are attached to this instruction manual and product labeling, and their marks and meanings are explained as follows. Before using this hot water heater, please carefully understand its contents before reading this article.

	<b>Danger</b>	This sign is to indicate that when the user ignores its existence and uses it incorrectly, the user will have a dangerous emergency situation such as death or serious injury.
	<b>Warning</b>	This sign indicates that when the user ignores its existence and uses it incorrectly, the user may suffer dangerous and emergency situations such as death or serious injury.
	<b>Attention</b>	This sign is to indicate that when the user ignores its existence and uses it incorrectly, the user will be injured, or only damage surrounding items.

■ The meanings of each mark are as follows.


	General attention		General prohibition		Obligatory matters
	Electric shock attention		No fires		Unplug the power plug
	Fire attention		No touch		Ground sign
	High temperature attention		Prohibition of decomposition		

 **Danger**

Please read the description in this book in detail and understand the corresponding content before operating the machine.

Users should abide by the warning clauses to avoid injury.

Safe use of gas

A  Do not use gas other than the regulations. This machine is only suitable for natural gas. This machine cannot replace the air source.

The types of gas are divided into liquefied petroleum gas, natural gas, and artificial gas.

B If you smell gas, please do the following :

- Please do not touch any power switches.
- Please do not use any open flames
- Please do not use mobile phones, shut off gas valves quickly, and open doors and windows.
- Promptly notify others to leave the room
- When the smell disappears, contact the gas company immediately.

machine power connection

The wiring system of the building should have a ground wire, and the ground wire of the appliance should be firmly and reliably grounded: the switch connected to the appliance should not be set in a room with a bathtub or shower equipment;

Plugs and sockets should pass relevant certification ( Class I electrical appliances).

The installation, maintenance and adjustment of the machine must be taken care by professionals approved by the manufacturer.

The locking device of the machine cannot be adjusted at randomly.

The temperature of the fire window of the machine is high, and the surface of the fire window should not be directly contacted to avoid scalding.





## Warning

Before the machine is installed and operated, please do the following inspections.

■ **Confirm the type of gas**

When using this product for the first time or when relocating, please be sure to confirm whether the gas supply type is consistent with the gas supply conditions and gas source type marked on the nameplate of this product, whether the gas pressure and the water pressure of the heating system meet the requirements of the machine?



**Necessary**

■ **Check the power connection**

Please check whether the power plug is plugged in properly. The machine uses a power supply of 220V ~ 50Hz



**Necessary**

■ **Check heating hot water**

In the case of leakage or evaporation of heating hot water, the machine will not work normally. At this time, please follow the water replenishment method to replenish water. If it is used for the first time after installation, or if the heating system is restarted after draining, please follow the water replenishment method to replenish water.



**Necessary**

■ **Check the gas inlet valve**

Please check whether the inlet valve connected to the gas boiler is open.



**Necessary**

■ **Check each room valve**

Check that the heating valves connected to each room are all turned on.



**Necessary**

■ **Check around the gas boiler**

Is there good ventilation around the gas boiler? Please do not place flammable and explosive items, and do not dry clothes on the exhaust pipe, which may cause fire easily.



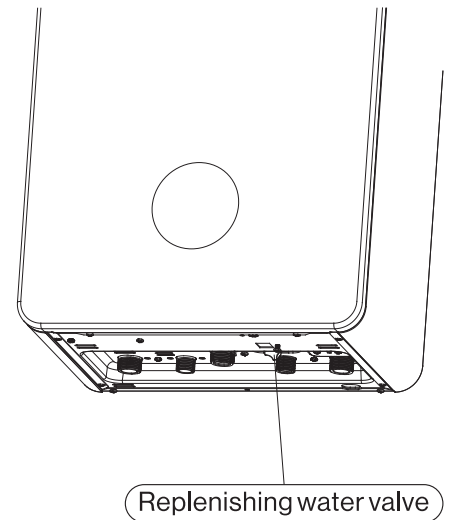
**Prohibit**



### Attention

Trial operation of the machine. Before trial operation, please make the following preparations.

- After the installation of the machine is completed, a trial run is required. The installer needs to introduce to the user in detail how to use the machine and how to use the safety device.  
Replenishing water to the heating system of the machine:
- Before the machine is filled with water, do not turn on the power of the machine to prevent the water pump from idling and burning.
- Make sure that each channel of the diversity collector is open to ensure that the piping of the heating channel is unblocked.
- Please use clean tap water. For example, in areas with hard water (calcium and magnesium compounds greater than 450mg/L), it is recommended to use a special scale reducing agent.
- Unscrew the water supply valve counterclockwise, turn on the water inlet switch of the machine, and the pressure reading will rise slowly. When the pressure value rises to 0.1 MPa-0.15 MPa, turn off the water inlet switch, and turn off the water supply valve clockwise.
- If the injection water pressure is too high, such as exceeding 0.3MPa, the pressure relief valve of the machine heating system will automatically release the pressure, and at this time, water will flow out of the machine pressure relief valve interface.
- Wait for a certain period of time after replenishing water, and continuously observe whether there is water leakage at the connection of each heating pipe; observe whether there is a pressure drop on the water pressure gauge.



### Attention

Before the machine is used, the water refill valve must be closed clockwise to avoid heating water leakage.

## Temporary downtime

- Press the power button to the OF state, the domestic hot water and heating functions are temporarily turned off.

Cautions for antifreeze models:

- Even in warm regions in winter, there is a possibility that the water in the water supply and outlet pipes or the water in gas boiler may freeze.
- After freezing, it may cause damage to the gas boiler and water pipes. Water leakage is prone to occur, and the gas boiler is abnormal (dry burning, etc.) and dangerous.  
The water pipe must be equipped with insulation material (self-made) to keep it fully insulated.
- Repairs caused by icing are paid even within the warranty period.

Please use the following methods for antifreeze:

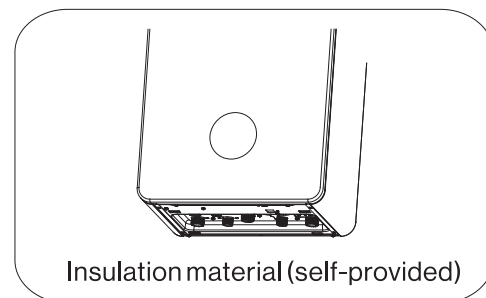
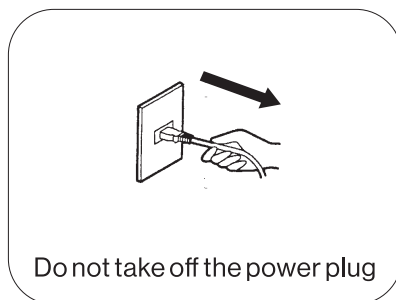
- Please confirm that the power plug of the machine is plugged in firmly. The antifreeze function of this product can only work normally when the power is turned on (if the circulating water in pipeline of heating system has been drained, please do not plug in the power supply). Please make sure that the gas valve of the machine is turned on. The ultra-low temperature antifreeze work of this product requires a short forced combustion.

Secondary antifreeze protection:

First-level antifreeze: Machine is in standby mode, when the main control system detects that the heating water temperature is  $\leq 8^{\circ}\text{C}$ , the first-level antifreeze mode will be started, and the water pump starts running (running for 2 minutes and stopping for 2 minutes), when the heating water temperature  $\geq 10^{\circ}\text{C}$ , the water pump stops running, and the system exits the first-level antifreeze mode.

Second-level antifreeze: Machine is in standby mode, when the main control system detects that the heating water temperature is  $\leq 5^{\circ}\text{C}$ , the secondary antifreeze mode will be started, the water pump will start running, and the machine will start to ignite and heat after 120 seconds. When the heating water temperature  $> 25^{\circ}\text{C}$ , the machine stops burning and heating, the water pump continues to work for 30 minutes and then stops running, and the system exits the secondary antifreeze mode.

Remarks: The first-level antifreeze protection cannot be realized when the power is cut off, and the second-level antifreeze protection cannot be realized when the power or gas is cut off.



- Long-term shutdown, please carry out antifreeze treatment according to the following methods
- If no use for a long time in winter, please be sure to close the gas valve, take off the power plug, close the water inlet valve, and drain the water in the machine. Or only drain domestic hot water, and add antifreeze to the heating water.

## Inspection and maintenance

### ■ Cautions for inspection and maintenance

- Please keep the gas boiler and its surroundings clean.
- Please observe the pointer of the heating water pressure gauge frequently. When the water pressure on the display is less than 1 bar, please replenish the heating water in time.
- If the room cannot be heated during use, there may be impurities in the pipeline, then please clean the heating water filter.

### ■ Inspection matters

- Are there any combustible materials placed in the machine and exhaust pipe?
- Is the exhaust pipe falling off, damaged or blocked?
- Is the appearance of the gas boiler abnormal?
- Is there good ventilation around the gas boiler?
- Check whether the flame is normal, or there is abnormal sound during use?
- Is the pipeline water or gas leaking?

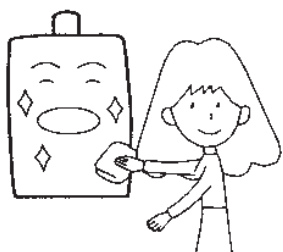
(For gas leakage, please apply soapy water to the connecting part of the pipe to check)

### ■ Maintenance steps

No.	Steps	Main content	Routine operation	Selective operation
1	Take off the power plug and turn off the power, and close the gas stop valve and water inlet valve		●	
2	Pressure relief and drainage for machine heating water system and domestic water system		●	
3	Clean the main heat exchanger and remove it for inspection if necessary	Whether there is carbon deposit, whether there is scale inside		●
4	Clean the main burner	Whether the flame hole is blocked		●
5	Remove plate heat exchanger (plate change machine only)	Whether there is scale inside		●
6	Remove cold water filter and water flow sensor combination	decontamination	●	
7	Check the precharge pressure of the expansion tank	Precharge pressure is 0.1MPa	●	
8	Check whether the power cables and signal cables are properly connected, whether there's loose, or damaged		●	
9	Check whether the connections of the smoke exhaust system are properly connected or loose		●	
10	Restore the installation of removed components		●	
11	Re-inject water into the system and check whether the pressure is rising		●	
12	Turn on the power and open the gas stop valve and water inlet valve		●	
13	Machine ignition combustion, check the machine combustion specifications	Check the pressure value	●	
14	Check machine peripherals		●	
15	Install the machine completely and clean the appearance		●	

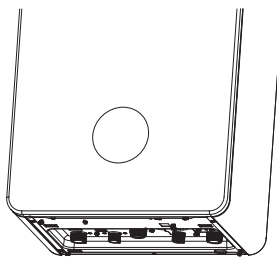
## ■ Inspection and maintenance

### Gas boiler get dirty



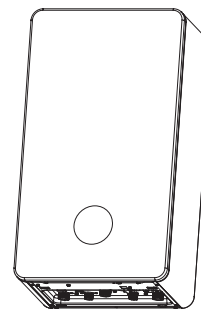
Please wipe with a cloth or sponge soaked with a neutral cleaner.

### Cleaning filter assembly



Please clean the filter assembly regularly, so as not to block the filter assembly with water impurities, causing the machine to fail to start.

### Gas pipeline leak detection



Apply hot soapy water with a brush to each connection of the gas pipeline. If bubbles are found, there are gas leakage on there place

## Periodic inspection

- For long-term use, it is recommended to make a regular inspection once a year, please contact your local gas company for arrangements.

## Judgment and handling of abnormal faults

- If the following situation occurs on the machine, it may not be a machine fault, please make a reference to determine. If you need maintenance, please contact our after-sales service.

Situation	Maintenance method
The machine does not start, non-reaction when power on , or the domestic hot water is not hot, the heating system is not hot	Pls check if there a power outage? The instantaneous current is too large and the machine's fuse is blown?
	Check whether the gas valve is closed and whether the gas is smooth.
	Is there a error code showed on the machine display?
It's difficult to ignition on the first time start up	Due to air entering the gas distribution pipe. Please turn off the hot water tap and turn it on again.
When the hot tap is turned on slightly, the hot water will not come out	If the water flow is lower than the min. start up water flow, the machine will not ignition. Please turn on the hot water tap again. If the water flow is too low, the gas boiler cannot be started, please increase the water flow and then open the water tap to start.
Steam from the exhaust pipe	The exhaust gas contains steam, which produces white gas when it meets the cold air outside
Hot water whitening	White hot water can be seen after separating the air dissolved in the water.
Even if the hot water tap is turned off, the fan will turn in a short time	There is a delayed shutdown of the fan because of the exhaust gas need to be discharged from the combustion chamber.

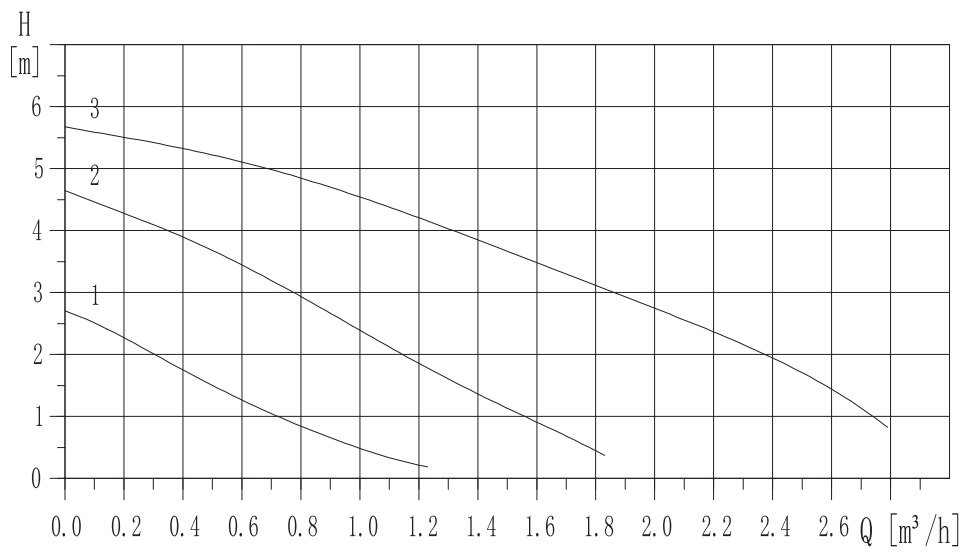
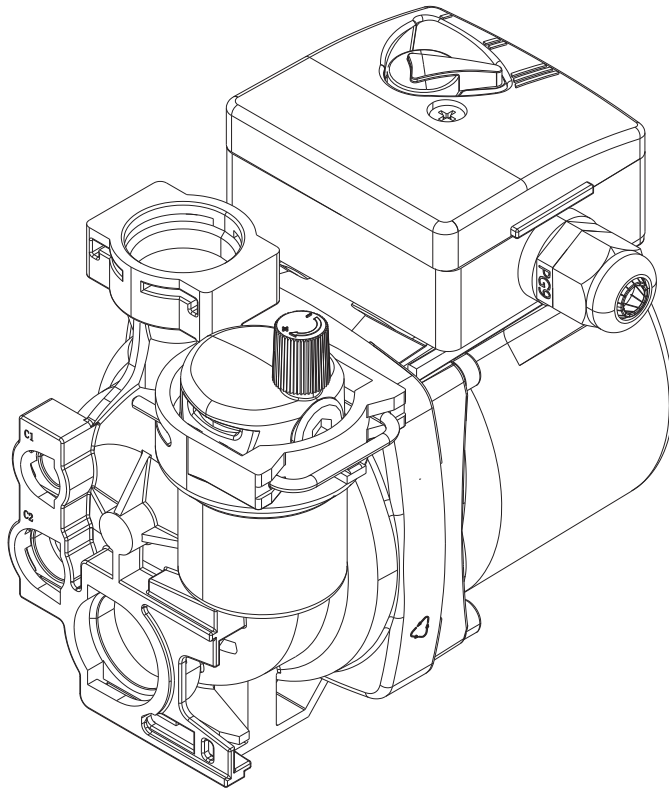
- If the machine display shows the following error code, indicating that the machine fault has occurred, please power off the machine and restart it again, if the error code can not be eliminated, please contact Philips after-sales service.

Error code	Fault judgment	Fault reason
E1	Failure of the ignition	Locked
E2	Overheat protection	Locked
E3	Wind pressure protection	Automatic recovery
E4	Low water pressure protection	Automatic recovery
E5	Failure of main gas valve circuit	Locked
E6	Failure of DHW temp.sensor	Automatic recovery
E7	Failure of CH temp.sensor	Automatic recovery
E8	Failure of CH overhigh water temp.	Automatic recovery
E9	Failure or icing	Locked
EA	Failure of gas valve	Locked
EL	Failure of condensed water	Locked
EH	Abnormal voltage	Automatic recovery
EE	Failure of inlet water temp. sensor	Automatic recovery
Eb	Failure of DHW overhigh water temp.	Automatic recovery

## Technical parameters

Basic specification	Product name		Gas boiler		
	Model no.		AWH7305/51(B20C1)	AWH7306/51(B24C1)	
	Installation mode		Indoor wall mount		
	Exhaust mode		Forced exhaust		
	Ignition mode		Continuous electrical discharge		
	Panel dimension (mm) W*H*D		700X400X308		
	N.W./G.W. (kg)		31.9/34.5	32.6/35.2	
	Expansion tank capacity		6L		
	Connection	Gas inlet		G3/4"	
CH outlet/backwater		G3/4"			
DHW water outlet/inlet		G1/2"			
Gas specification	Noise		≤48dB		
	Heat efficiency		Energy Efficiency Level: Level 2		
	Rate CH heat input (kW)		22.0	27.0	
	Min. CH heat input (kW)		8.1	10.0	
	Rated CH heat input (kW)		20.0	24.0	
	Min. CH heat output (kW)		7.1	8.8	
	Rate DWH heat input (kW)		22.0	27.0	
	Gas flow	Max (m <sup>3</sup> /h)		2.3	2.8
		Min (m <sup>3</sup> /h)		0.84	1.04
	Specification	PH		1120	1160
		PL		150	120
	Heating area (m <sup>2</sup> )		120	140	
	Gas pressure (Pa)		Natural gas 1274		
	Max. CH water pressure (MPa)		0.3		
DWH water pressure (MPa)		0.04-0.6			
Operating specification	Rated hot water capacity	(Δ=25K)	11kg/min	13.7kg/min	
		(Δ=30K)	9.2kg/min	11.4kg/min	
	Temp. Adjustment range	DHW		35°C-60°C	
		CH: Floor heating mode		30°C-60°C	
		CH: Fin mode		30°C-80°C	
	Electric shock protection type		Class I		
	Voltage/Frequency		220V ~ 50Hz		
	Waterproof level		IPX4D		
	Circulating pump lift		6m		
	Circulating pump power		100W		
	Power input in min gas flow		105W		
Standby power		2W			
Rate power		115W	125W		

■ Flow characteristics of water circulating pump





# Содержание

Уведомление для пользователей .....	30
Габаритная схема .....	31
Инструкции по установке .....	32
Установка дымовой трубы .....	38
Электрическая схема .....	38
Описание конструкции .....	42
Порядок использования .....	43
Описание дисплея .....	44
Выбор режима .....	46
Меры предосторожности .....	47
Осмотр и обслуживание .....	50
Устранение неполадок .....	53
Технические характеристики .....	54

## Уведомление для пользователей

### 1. Предупреждение о риске

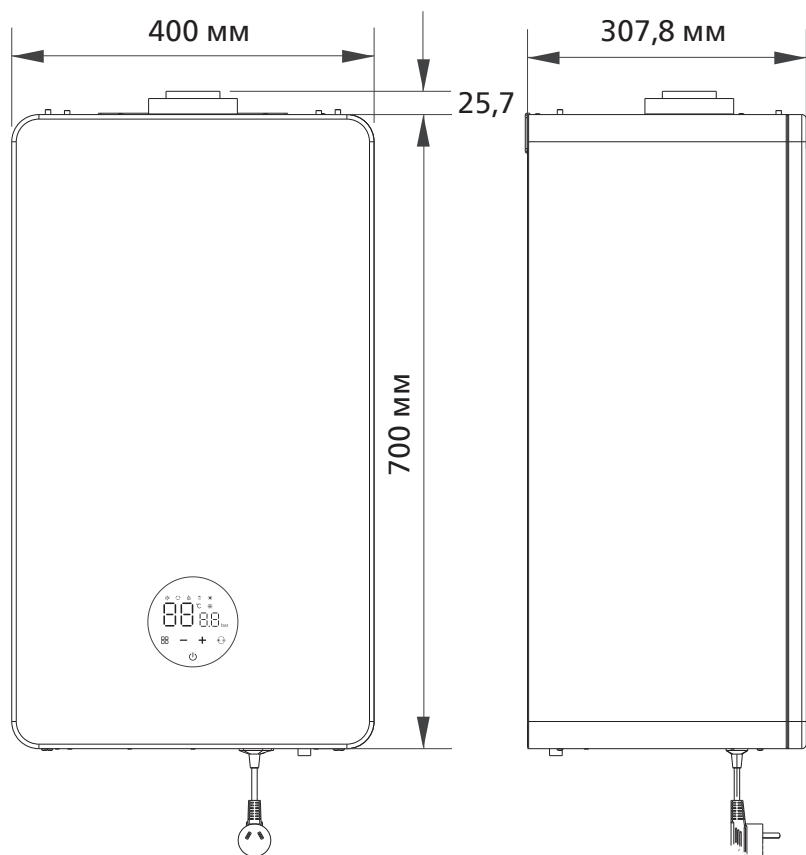
- Неправильная установка может привести к травмам, причинить вред животным и вызвать ущерб имуществу.
- Необходимо устанавливать водонагреватель в точности по инструкции, соблюдая применимые нормативы и регламенты.
- Категорически запрещается устанавливать водонагреватели в спальнях, гостиных и ванных комнатах.
- Запрещается устанавливать водонагреватель в закрытом пространстве.
- Во избежание нарушений безопасности следует использовать оригинальные соединения и дымоходы.
- Категорически запрещается заменять коаксиальную трубу дымохода обычной трубой.
- Не покупайте водонагреватели, модифицированные торговыми посредниками.
- Перед впускным патрубком газа водонагревателя должен быть установлен газовый кран.
- Запрещается устанавливать водонагреватель рядом с индукционными плитами, микроволновыми печами и другими мощными источниками электромагнитного излучения.
- В электросети в месте установки должен быть контур заземления. Розетка, к которой подключается водонагреватель, не должна находиться рядом с источниками воды или рядом с душем. Розетка и вилка должны быть сертифицированы надлежащим образом.
- Ремонтировать устройство, заменять его или заменять его детали могут только специалисты, уполномоченные изготовителем.
- После ремонта устройства технические специалисты должны сделать соответствующую отметку на водонагревателе.
- Категорически запрещается снимать пломбы с водонагревателя.
- Лицам с ограниченными возможностями и детям запрещается эксплуатировать водонагреватели.
- Пользователям запрещается открывать клапаны сброса давления и дренажные клапаны.
- Не используйте чистящие средства, вызывающие коррозию, для чистки водонагревателей.
- Во избежание замерзания водонагревателя и трубопроводов при выключении водонагревателя на длительное время зимой необходимо слить всю воду из водонагревателя или залить незамерзающую жидкость. Если водонагреватель не используется в течение короткого времени, он должен быть подключен к электросети и к газопроводу.

### 2. Меры предосторожности

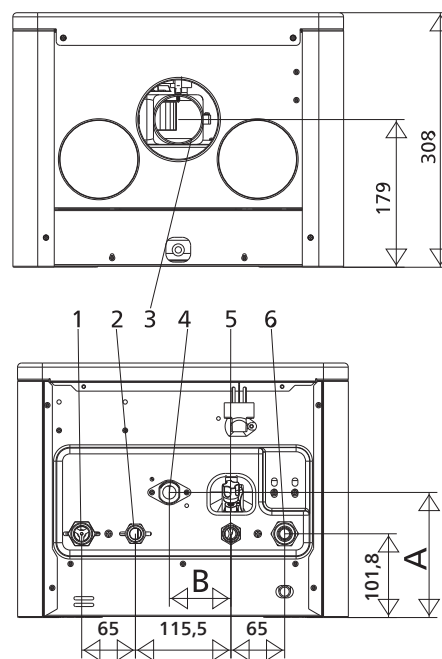
#### **Внимание:**

- При установке и использовании водонагревателя внимательно прочитайте эту инструкцию. Сохраните ее для дальнейшего использования.
- Пользователи должны соблюдать все пункты инструкции, обозначенные символом «Внимание!».

## Габаритная схема



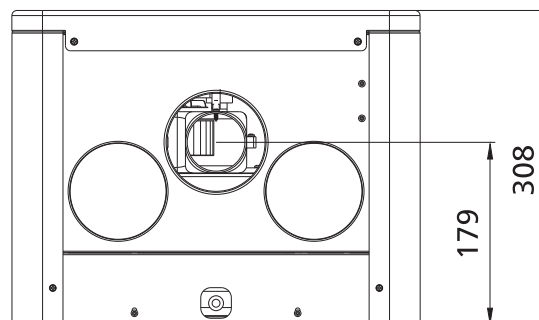
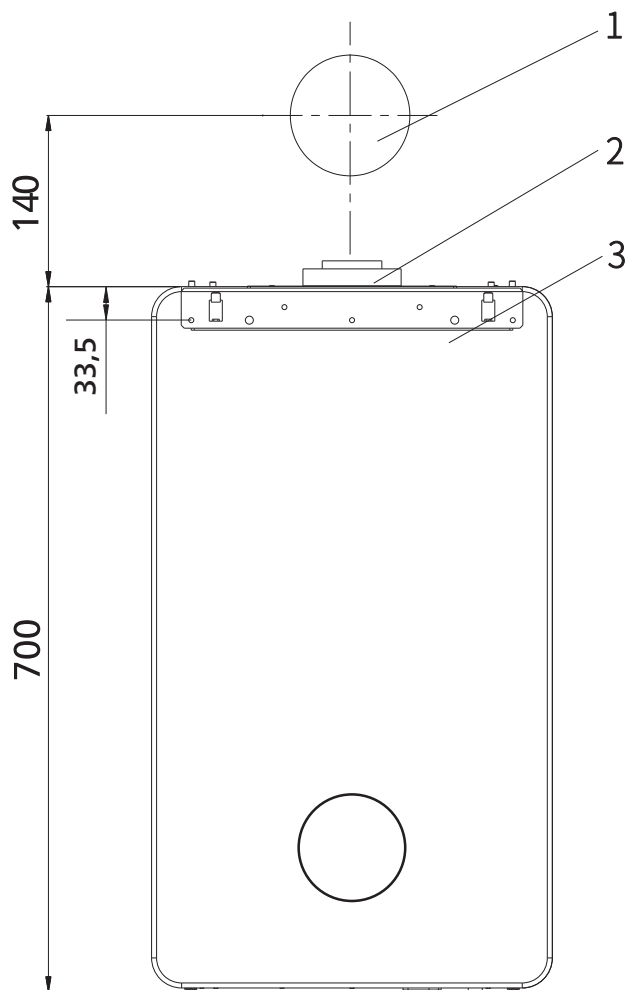
## Схема подключений



- |   |             |
|---|-------------|
| 1. Выходной патрубок отопления            | G 3/4"      |
| 2. Выходной патрубок бытовой горячей воды | G 1/2"      |
| 3. Входной патрубок газа                  | C           |
| 4. Входной патрубок воды                  | G 1/2"      |
| 5. Патрубок обратного тока отопления      | G 3/4"      |
| 6. Труба сброса давления                  | Ø12 мм      |
| 7. Вытяжная труба                         | Ø60/Ø100 мм |

Модель	A	B	C
AWN7305/51(B20C1)	151,8	74,5	G 1/2"
AWN7306/51(B24C1)	131,8	58	G 3/4"

■ Установочные размеры дымовой трубы газового водонагревателя



Описание

1. Отверстие для установки трубы
2. Соединение
3. Монтажный кронштейн

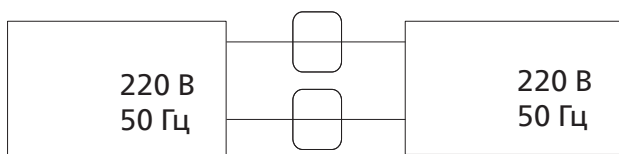
## Инструкции по установке

- Обратите внимание на тип газа и технические характеристики электросети
- Подготовка перед установкой

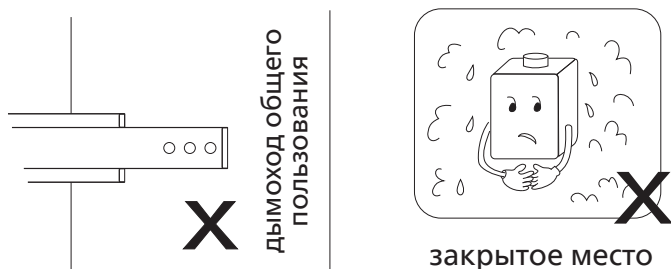
**⚠ Внимание:**

- Монтаж этого оборудования должен проводиться профессиональными специалистами, уполномоченными нашей компанией, в соответствии с действующими местными правилами и регламентами. Перед установкой внимательно прочтите инструкцию.
- Способ установки должен соответствовать местным правилам и регламентам, а также применимым техническим требованиям, чтобы избежать причинения травм и ущерба вследствие неправильной установки.
- Для обеспечения правильной работы изделия используйте оригинальные комплектующие и детали.

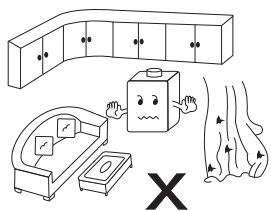
- Обратите внимание на тип газа и технические характеристики электросети
- Выбирайте газовый водонагреватель в соответствии с типом газа и характеристиками электросети (напряжение, частота), указанными на наклейке на водонагревателе



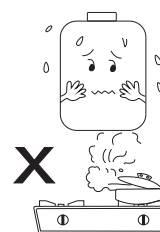
- Использование неподходящего типа газа может привести к возгоранию или к неполному сгоранию, что может вызвать отравление угарным газом.
- Место установки
- Газовый водонагреватель следует устанавливать в хорошо проветриваемом месте.
- Перед установкой убедитесь, что вокруг водонагревателя, под ним и перед ним достаточно места для осмотра и обслуживания.
- Используйте входящую в комплект вытяжную трубу.
- Установка в этом месте запрещена
- Категорически запрещено подключать приточную и вытяжную трубы к дымоходу общего пользования.



- Категорически запрещено устанавливать водонагреватель в спальнях, в навесных шкафах, в чуланах, за шторами, рядом с мебелью и другими воспламеняющимися предметами.



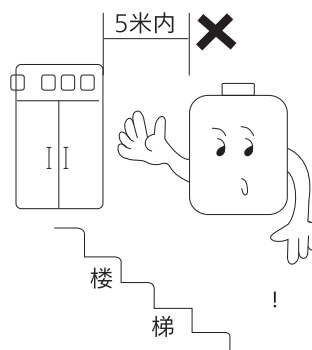
- Не устанавливайте водонагреватель над газовыми плитами и другими источниками тепла.



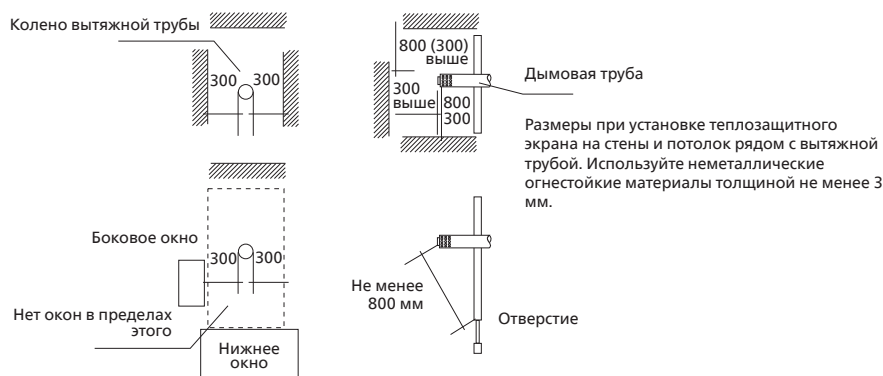
- Во избежание возгорания и коррозии газового водонагревателя не размещайте рядом с ним электрическое оборудование, воспламеняющиеся вещества (бензин, органические растворители и т. п.) и химические вещества, вызывающие коррозию (спирт, хлорная кислота, сера и т. д.).



- Категорически запрещено устанавливать водонагреватель рядом с лестницами и запасными выходами.



- **Подача газа и вытяжка**
- Газовый водонагреватель использует входящую в комплект вытяжную трубу, обеспечивающую оптимальную вытяжку.
- Эта вытяжная труба предназначена только для газового водонагревателя. Не изменяйте ее форму и конструкцию.
- Убедитесь, что расстояние от места установки газового водонагревателя до конца вытяжной трубы не превышает 3 м.
- В месте установки газового водонагревателя должно быть обеспечен воздухообмен с наружной средой.
- Полезная площадь воздуховода должна превышать поперечное сечение вытяжной трубы.
- Категорически запрещено присоединять вытяжную трубу водонагревателя к дымоходу общего пользования.
- **Стандарт установки вытяжной трубы**
- Вытяжная труба должна выходить непосредственно на улицу.
- Если возможен снегопад, учтите это и примите надлежащие меры при установке газового водонагревателя.
- Запрещено размещать воспламеняющиеся материалы рядом с выходом вытяжной трубы.
- Вытяжная труба должна быть установлена под небольшим уклоном вниз
- Не устанавливайте вытяжную трубу под уклоном вверх, поскольку в этом случае в вытяжную трубу будет затекать дождь.
- Если снаружи стены находится воспламеняющийся материал, вытяжная труба должна находиться на расстоянии не менее 300 мм от него. В направлении вытяжки дыма расстояние до воспламеняющегося материала должно составлять не менее 800 мм. В пределах этого расстояния запрещается открывать окна.

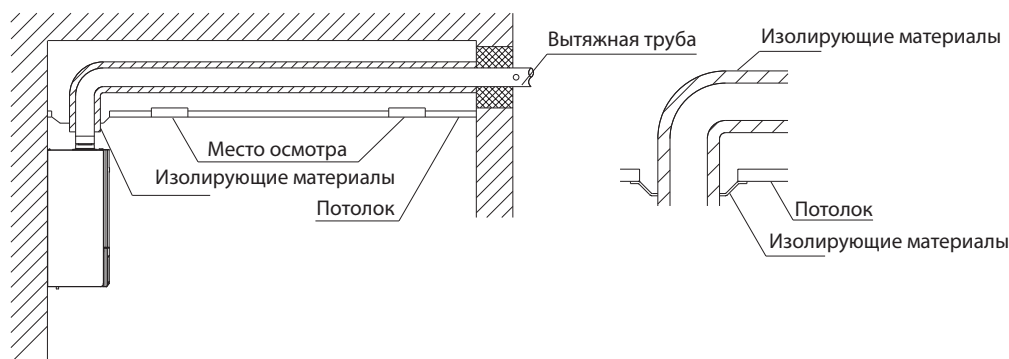


## ■ Требования к монтажу вытяжных труб

- **Расстояние между вытяжной трубой и воспламеняющимися материалами**

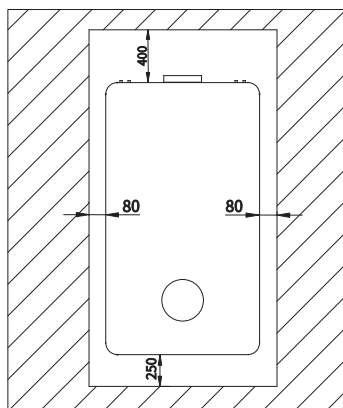
Сквозная часть А	Хорошо проветриваемое пространство	Оберните неметаллическим огнестойким материалом толщиной не менее 20 мм
	<p>проветриваемое пространство</p> <p>D/2 сверху</p> <p>D/2 сверху</p>	<p>Не прикасаться</p> <p>Не менее 20 мм</p> <p>Не менее 20 мм</p> <p>Не прикасаться</p> <p>D/2 сверху</p> <p>D/2 сверху</p>
	Используйте железный крепеж	
<p>железные пластины (односторонние)</p> <p>D/2 сверху</p> <p>D/2 сверху</p>	<p>листовое железо (с двух сторон)</p> <p>Дымовая труба</p> <p>D/2 сверху</p> <p>D/2 сверху</p>	

- Расстояние между вытяжной трубой и воспламеняющимися материалами при скрытой установке. \*При скрытой установке вытяжной трубы, например, над подвесным потолком, необходимо исключить утечки воздуха из соединений вытяжной трубы. Кроме того, необходимо обернуть вытяжную трубу огнестойким материалом. \*Для удобства осмотра и ремонта вытяжной трубы предусмотрите место осмотра на этапе установки. \*Для осмотра вытяжной трубы должно быть более двух мест осмотра. Если скрытая часть проходит через стену, то место осмотра должно быть рядом со стеной.



- Минимальное пространство для установки и обслуживания Для удобства обслуживания в будущем, а также во избежание соприкосновения с горячими внешними поверхностями газового водонагревателя при его работе необходимо установить водонагреватель так, чтобы вокруг него было достаточное свободное пространство, как показано на рисунке ниже.

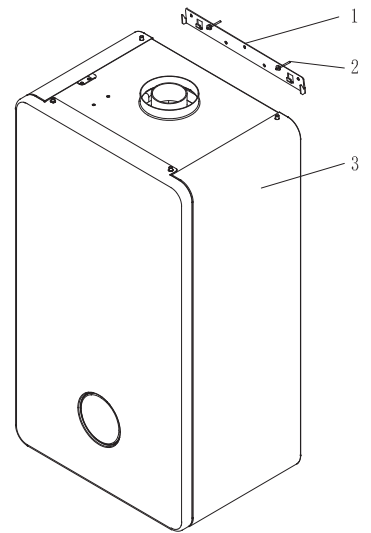
Расстояние сбоку: 80 мм  
 Расстояние снизу: 250 мм  
 Расстояние сверху: 400 мм



## Предупреждение

- При установке водонагревателя необходимо соблюдать требования, касающиеся минимального расстояния до воспламеняющихся материалов. Не размещайте нефтепродукты, газ и другие воспламеняющиеся и горючие материалы рядом с водонагревателем и с вытяжной трубой. При нагреве давление внутри бака повышается, возможен разрыв бака.
- Газовый водонагреватель можно устанавливать только в хорошо проветриваемом помещении. Запрещается установка и эксплуатация водонагревателя вне помещений. Запрещается устанавливать водонагреватель в спальнях, в гостиных, внутри шкафов.
- Если рядом с водонагревателем находится стена из воспламеняющегося материала, например из дерева, необходимо использовать теплоизоляцию.
- Если рядом с водонагревателем находится телевизор или радио, электромагнитные помехи могут помешать правильной работе водонагревателя. Не размещайте такие устройства рядом с водонагревателем.

- Установка газового водонагревателя
- Просверлите в стене два отверстия, расстояние между которыми должно соответствовать расстоянию между крепежными отверстиями в кронштейне водонагревателя (см. габаритный чертеж).
- Чтобы установить газовый водонагреватель на стену, используйте подвесной кронштейн (1), а также шурупы (2) и дюбели (2), входящие в комплект.
- Поднимите водонагреватель (3) чуть выше кронштейна, затем аккуратно опустите его, чтобы подвесные крюки зацепились за отверстия с обеих сторон. Поднимая водонагреватель, удерживайте его снизу. Опускайте его плавно и аккуратно, чтобы не повредить.



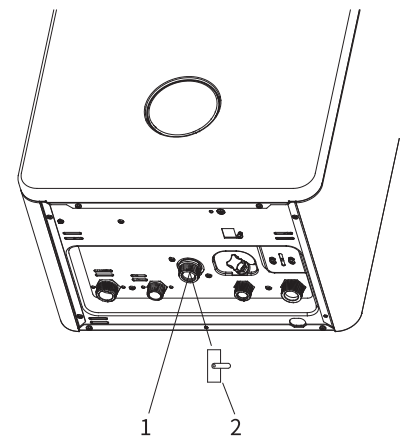
#### ■ Подключение газового трубопровода

Перед подключением к газопроводу необходимо установить газовый кран (2) перед патрубком подачи газа (1).

Газовый водонагреватель использует в качестве топлива природный газ. Для присоединения газопровода используется патрубок (1) G 3/4" с наружной резьбой. Его необходимо подключить к газовой трубе, используя муфту из нержавеющей стали, предназначенную для газопроводов.

Давление газа в газопроводе должно составлять 1274 Па. Необходимо использовать газовый счетчик с достаточной пропускной способностью.

- Перед использованием продуйте газопровод. Это поможет защитить газовые клапаны от повреждений.
- При подключении газопровода к водонагревателю проверьте правильность типа подключения (1). Используйте уплотнительную прокладку для газа, чтобы избежать утечек.
- Перед началом проверки необходимо продуть воздух из газопровода.
- Перед использованием водонагревателя убедитесь в отсутствии утечек из газопровода.



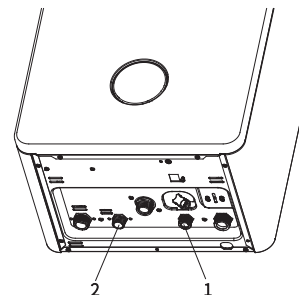
#### Внимание

Если вы по ошибке присоединили трубу водопровода к патрубку для подачи газа (1), не пытайтесь просто присоединить трубы обратно: возможна утечка газа. При неправильном подключении газового трубопровода обратитесь в местную организацию газоснабжения.



#### Подключение трубопровода бытовой горячей воды

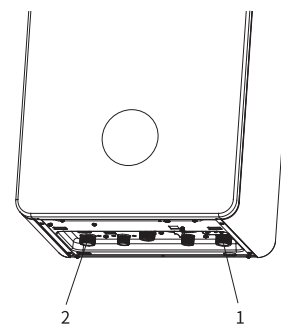
- Для подачи холодной воды (1) и выхода горячей воды (2) используются патрубки G 1/2" с наружной резьбой. При установке труб водопровода используйте уплотнительные прокладки, чтобы избежать утечек. Перед присоединением трубы подачи холодной воды к газовому водонагревателю необходимо промыть трубу, чтобы избежать засорения.
- Входной патрубков для холодной воды:
  1. Минимальное давление воды на входе должно составлять 0,04 МПа. Убедитесь, что давление подачи воды составляет не менее 0,04 МПа. Входной патрубков для холодной воды должен быть присоединен непосредственно к трубе водопровода.
  2. Чтобы можно было демонтировать водонагреватель, используйте соединительный узел или металлический шланг. При подключении не перепутайте трубы холодной и горячей воды.
- Выходной трубопровод горячей воды:
  1. Присоедините металлическую трубу к выпускному патрубку горячей воды. Трубы из термостойкого пластика могут сломаться, не используйте их.
  2. Если водонагреватель предполагается часто использовать, выпускная труба горячей воды должна быть как можно более короткой.
  3. При подаче воды на верхний этаж необходимо увеличить давление подачи воды.
  4. Используйте смеситель с низким сопротивлением и душ с низким перепадом давления.



#### Внимание

Во избежание протечек системы убедитесь в отсутствии давления в трубопроводах при подключении входного трубопровода холодной воды и выходного трубопровода горячей воды.

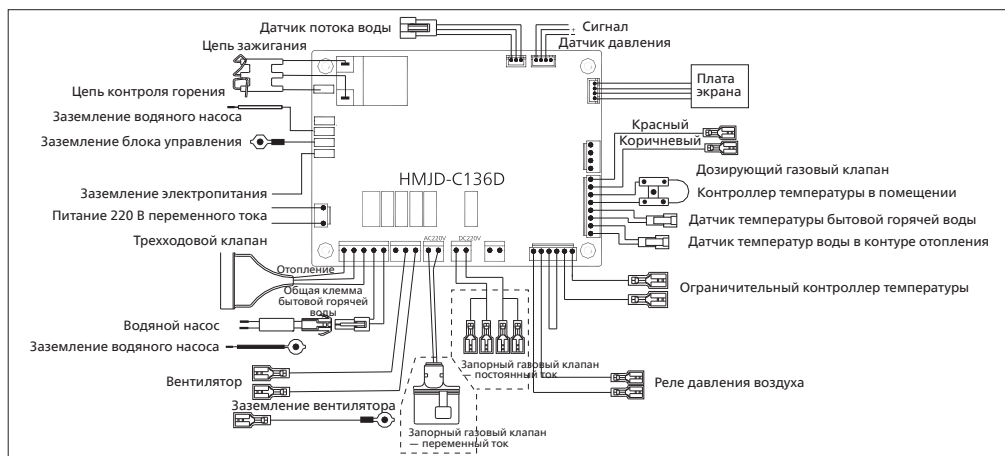
- Присоединение трубопровода отопления  
Для подачи (1) и выхода (2) воды в контуре отопления используются патрубки G 3/4" с наружной резьбой. При присоединении трубопровода отопления используйте уплотняющие прокладки, чтобы предотвратить протечки воды. При прокладке трубопровода отопления используйте распределитель. Распределитель должен быть направлен разветвлением вниз и покрыт теплоизолирующим материалом. От распределителя во все отапливаемые помещения необходимо провести отводы трубы (диаметром 9–15 мм). При использовании отапливаемого пола трубопровод отопления должен быть скрыт под полом. В случае протечек ремонт будет затруднен. В контуре отопления используйте трубы одинакового диаметра для подачи горячей воды и для возвратного тока. Во избежание потерь тепла старайтесь использовать как можно более короткие промежуточные трубопроводы. Если площадь отапливаемых помещений значительно различается, добавьте дополнительные трубопроводы в комнатах большей площади, чтобы добиться одинаковой температуры во все комнатах. Снаружи трубопровод необходимо обернуть слоем теплоизолирующего материала толщиной 25 мм, чтобы избежать замерзания (в областях с холодным климатом толщина слоя теплоизоляции должна превышать 50 мм). Примечание. Максимальная температура воды в системе отопления: 80 °С.



#### Внимание

Перед присоединением трубопровода отопления необходимо очистить его изнутри, чтобы убедиться в отсутствии в нем металлических опилок, частиц песка и других загрязнений. При подключении выходной и возвратной труб системы отопления убедитесь в отсутствии давления в контуре отопления. В противном случае возможны протечки.

- Подключение электрической системы управления
- В электропроводке здания должно быть заземление. Кабель заземления устройства должен быть надежно подключен к контуру заземления. Запрещается устанавливать выключатель устройства в помещении, где находится ванна или душ. Вилки и розетки должны быть сертифицированы должным образом (для подключения электрооборудования класса I).
- Схема подключения электрических клемм



### ⚠ Предупреждение

1. Эта схема предназначена только для технического персонала нашей компании.
2. Не подключайте электрические компоненты самостоятельно: это опасно.

## Установка дымовой трубы

### ■ Заявление

Мы не несем ответственность за травмы и ущерб, возникшие вследствие несоблюдения инструкций по установке и применимых регламентов. Это руководство по монтажу и эксплуатации предназначено для установки вытяжных труб для газовых водонагревателей Philips серии AWH7305/AWH7306. Его можно использовать вместе с инструкцией для газового водонагревателя, чтобы правильно установить всю систему газового водонагревателя.



### Внимание

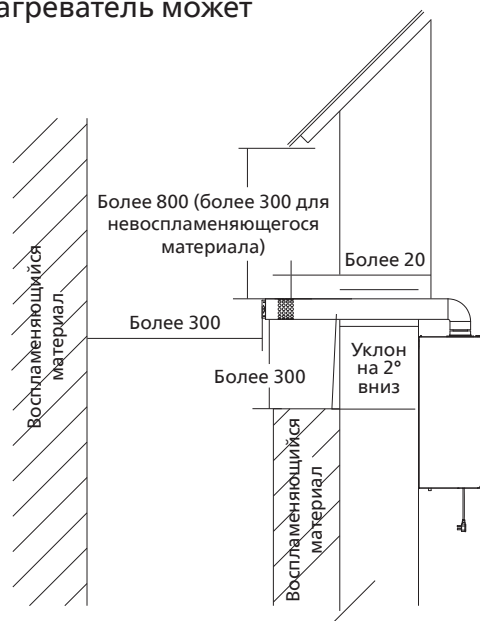
- При монтаже дымовых труб необходимо соблюдать применимое законодательство, нормативы и регламенты.
- Монтаж дымовой трубы может проводиться только профессиональными специалистами, уполномоченными компанией Philips. Необходимо правильно установить систему вытяжных трубопроводов.
- Если дымовая труба установлена на крыше, конденсат в дымовой трубе может замерзнуть на крыше или на кровельных конструкциях в холодную погоду. Это следует учитывать при установке, чтобы лет, образующийся при конденсации, не падал с крыши. При монтаже убедитесь, что в дымоходе не осталось железных опилок, остатков штукатурки и прочих посторонних предметов.
- При установке дымовых труб убедитесь, что все дымовые трубы изготовлены из одинакового материала (например, из нержавеющей стали).
- Если в течение всего срока эксплуатации газового водонагревателя потребуются замена, ее должны производить профессиональные специалисты, уполномоченные изготовителем. Любые несанкционированные изменения запрещены. Примечание. Вытяжные трубы подвесных настенных водонагревателей этой серии запрещается подключать к дымоходам общего пользования.

- Меры предосторожности при установке
- Используется вытяжная труба диаметром Ø60/Ø100мм. Не используйте вытяжные трубы другого диаметра. (В комплект входит стандартная вытяжная труба длиной 1 метр с 1 изгибом).

AWH7305	3 метра, 2 изгиба
AWH7306	

- Если нужно использовать дополнительную прямую трубу или трубу с изгибами, используйте следующую формулу для расчета:  $D=L+M \times 2$   
L : длина присоединенной вытяжной трубы (в метрах)  
M: количество изгибов (не считая начального). Водонагреватель может нормально работать, когда значение D равно 7.

- Пример стандартной установки
- При установке вытяжной трубы см. рисунок справа. В скобках указаны размеры при установке теплозащитного экрана на стенах и потолке рядом с вытяжной трубой. В качестве теплозащитного экрана используйте неметаллические огнестойкие материалы толщиной не менее 3 мм.



**Внимание**

Выход вытяжной трубы водонагревателя наклонен вниз под углом 2°, чтобы избежать попадания конденсата и дождевой воды в водонагреватель. После окончания монтажа дымовой трубы установщик должен отметить положение воздуховода и вытяжной системы на устройстве.

## Установка дымовой трубы

- Установка вытяжной трубы
- Прodelайте в стене круглое отверстие диаметром 120 мм (для стен из негорючих материалов).
- Установите вытяжную трубу, проходящую из помещения наружу, как показано на схеме справа.
- Заполните зазор между вытяжной трубой и стеной огнестойким материалом.
- Сначала установите уплотнительное кольцо в стену.
- Прикрепите к стене монтажный кронштейн водонагревателя. Подвесьте водонагреватель на кронштейн. Прикрепите колено 90° к горизонтальной дымовой трубе, затем прикрепите дымовую трубу вместе с коленом к водонагревателю.



## ■ Схема установки вытяжной трубы

### Предупреждение

- Перед установкой вытяжной трубы проверьте правильность установки кольца, ограничивающего дымоход. При установке удлиненной вытяжной трубы необходимо удалить ограничивающее кольцо.

Модель	Кольцо, ограничивающее дымоход
AWH7305	47
AWH7306	45

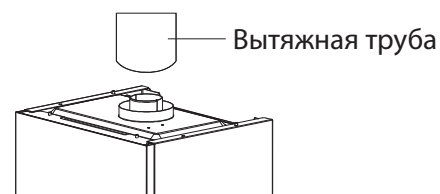
- Подсоедините вытяжную трубу к вытяжному патрубку устройства, как показано на рисунке.
- Закрепите соединение вытяжной трубы и вытяжного патрубка винтами, затем обмотайте соединение алюминиевой фольгой.
- Не устанавливайте вытяжную трубу диаметром свыше 100/Ø60 мм, чтобы предотвратить затекание капель конденсата в водонагреватель.



- Не устанавливайте огнеупорные перегородки и другие детали внутри вытяжной трубы, поскольку это может помешать нормальному горению и работе вытяжки при использовании водонагревателя.
- Убедитесь, что вытяжная труба не соприкасается с воспламеняющимися материалами, например со шторами.
- Не присоединяйте вытяжную трубу водонагревателя к вытяжке общей вентиляции: это опасно.

## Подготовка к работе

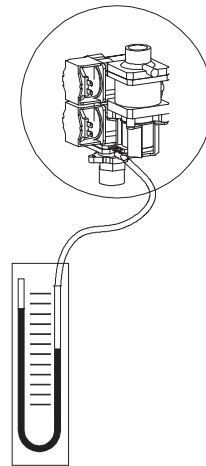
- Меры предосторожности при подключении газопровода
- Перед началом эксплуатации проверьте соответствующие данные на заводской табличке. Убедитесь, что газ в газопроводе соответствует техническим характеристикам водонагревателя.
- Проверьте надежность установки водонагревателя. Убедитесь в отсутствии устройств, мешающих работе водонагревателя.
- После установки всей системы (включая дымовую трубу) внимательно проверьте трубы газопровода и системы отопления. Убедитесь в отсутствии утечек, прежде чем заливать воду.
- Ввод в эксплуатацию допускается лишь при закрытой крышке камеры сгорания.
- После ввода в эксплуатацию следует тщательно проверить газопровод и газовые краны и клапаны. В противном случае возможна утечка газа, что может привести к отравлению.



■ Компоненты дымовой трубы

Проверьте давление газа на входе в водонагреватель следующим образом:

- Откройте блок управления;
- Перекройте газовый кран водонагревателя;
- Ослабьте уплотнительный винт на газовом клапане;
- Присоедините цифровой манометр или U-образный манометр;
- Откройте газовый кран газопровода перед входным патрубком водонагревателя, запустите водонагреватель на полную мощность;
- Измерьте давление газа, используя цифровой манометр или U-образный манометр.



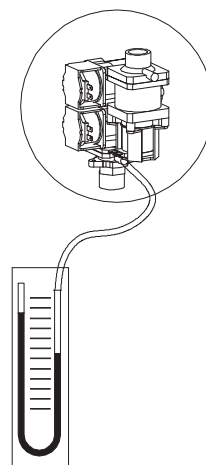
**Внимание**

Если давление газа на входе (природный газ) ниже или выше 1274 Па, не пытайтесь регулировать давление газа. Обратитесь в местную организацию газоснабжения, чтобы решить эту проблему. Закрутите уплотнительный винт газового клапана, установите на место крышку корпуса газового водонагревателя. Не включайте устройство до устранения проблемы.

■ Проверка и регулировка максимальной потребляемой мощности нагрева

Проверьте и отрегулируйте максимальную потребляемую мощность нагрева, выполнив следующие действия:

- Откройте блок управления;
- Перекройте газовый кран водонагревателя;
- Ослабьте уплотнительный винт на газовом клапане;
- Присоедините цифровой манометр или U-образный манометр;
- Откройте газовый кран водонагревателя;
- Запустите газовый водонагреватель в режиме бытовой горячей воды с минимальной и с максимальной нагрузкой;
- Определите давление газа, используя цифровой манометр или U-образный манометр. Сравните полученные значения со значениями в таблице технических характеристик.



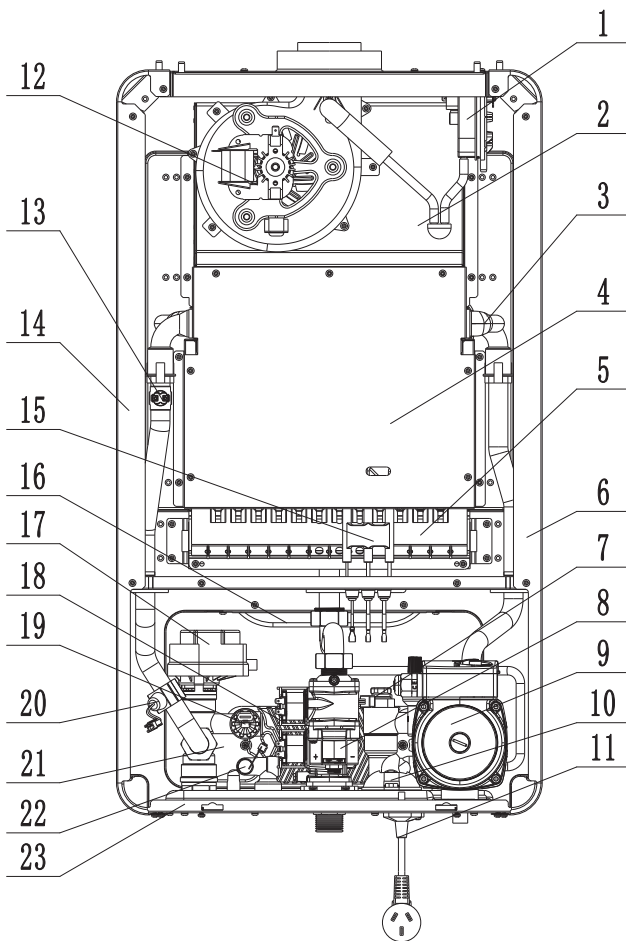
**Внимание**

Проверять давление газа в устройстве, а также регулировать максимальную и минимальную мощность нагрева могут только профессиональные специалисты, уполномоченные компанией Philips. После регулировки следует зафиксировать и пометить уплотнительный винт газового клапана.

## Особенности изделия

- Стильный внешний вид, удобная эксплуатация и простая установка.
- Конструкция устройства рассчитана на долговечную эксплуатацию. Устройство работает стабильно и надежно.
- Основные компоненты изготовлены известными производителями и отличаются высоким качеством.
- Использование мощного циркуляционного водяного насоса со значительным напором, вентилятора на внешнем роторе с экранированным полюсом и сбалансированной замкнутой системой сгорания. 100 % потребляемого воздуха поступает с улицы, 100 % отработанных газов выходит на улицу.
- Чрезвычайно низкий уровень шума при нагреве.
- Один и тот же водонагреватель обеспечивает как отопление, так и подачу бытовой горячей воды. Подача горячей воды с комфортом в соответствии с необходимым уровнем потребления.
- Многоуровневая защита и средства обеспечения безопасной работы: защита от нагрева без воды, защита от протечек, защита от перегрева, защита от бросков напряжения в электросети, мониторинг давления воды в реальном времени, автоматический перепуск, срабатывающий при разности давлений, защита от замерзания для систем отапливаемого пола, защита от ветрового напора и т. д.

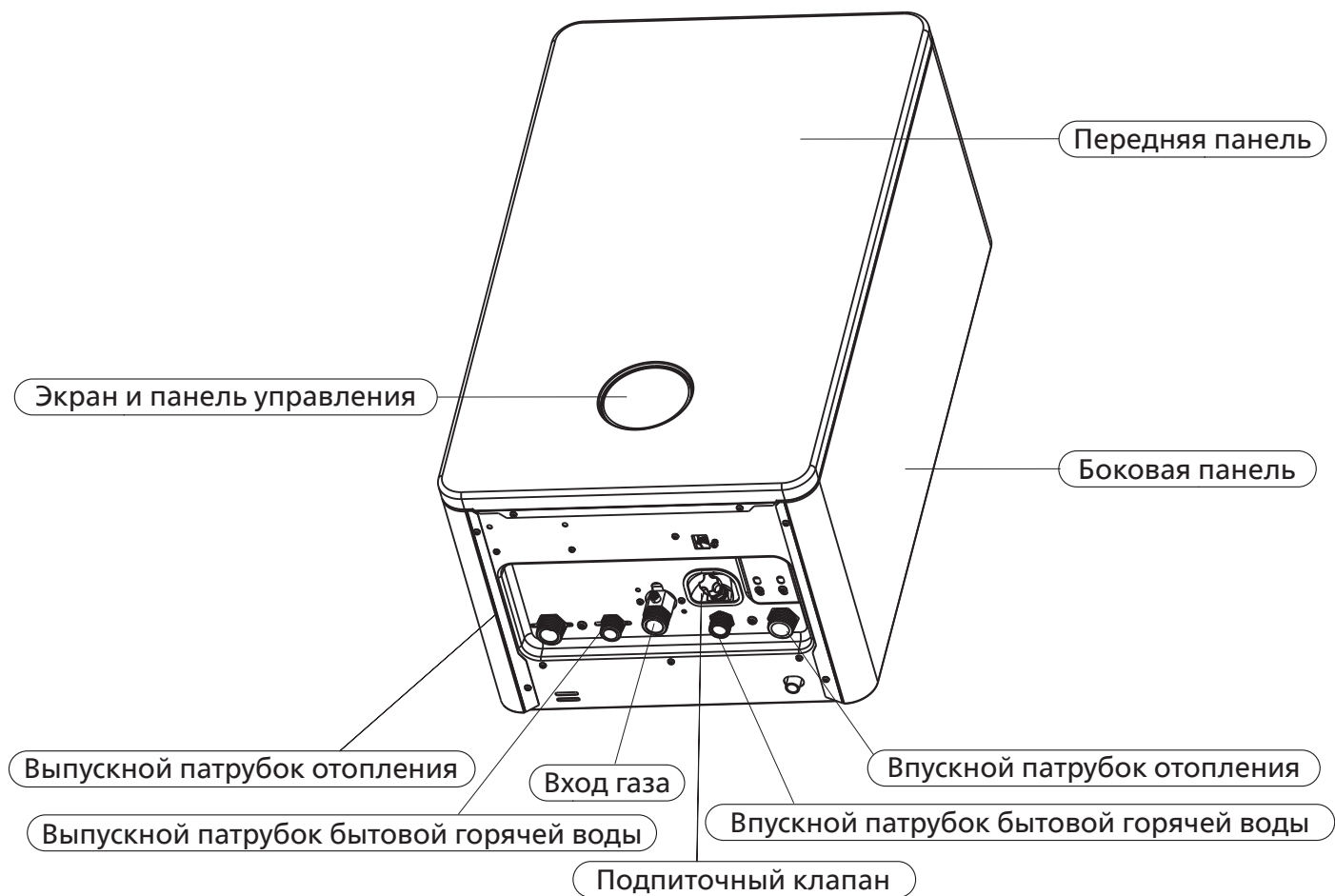
## Описание конструкции



- 1 Реле ветрового напора
- 2 Дымосборник
- 3 Главный теплообменник
- 4 Камера сгорания
- 5 Горелка
- 6 Правая панель
- 7 Датчик потока воды
- 8 Газовый кран
- 9 Водяной насос
- 10 Корпус впускного клапана
- 11 Кабель питания
- 12 Вентилятор
- 13 Ограничительный термостат
- 14 Левая панель
- 15 Игла зажигания
- 16 Расширительный бак
- 17 Электрический трехходовой клапан
- 18 Пластинчатый теплообменник
- 19 Датчик давления воды
- 20 Датчик температуры нагрева
- 21 Корпус выпускного клапана
- 22 Датчик температуры бытовой горячей воды
- 23 Нижний поддон

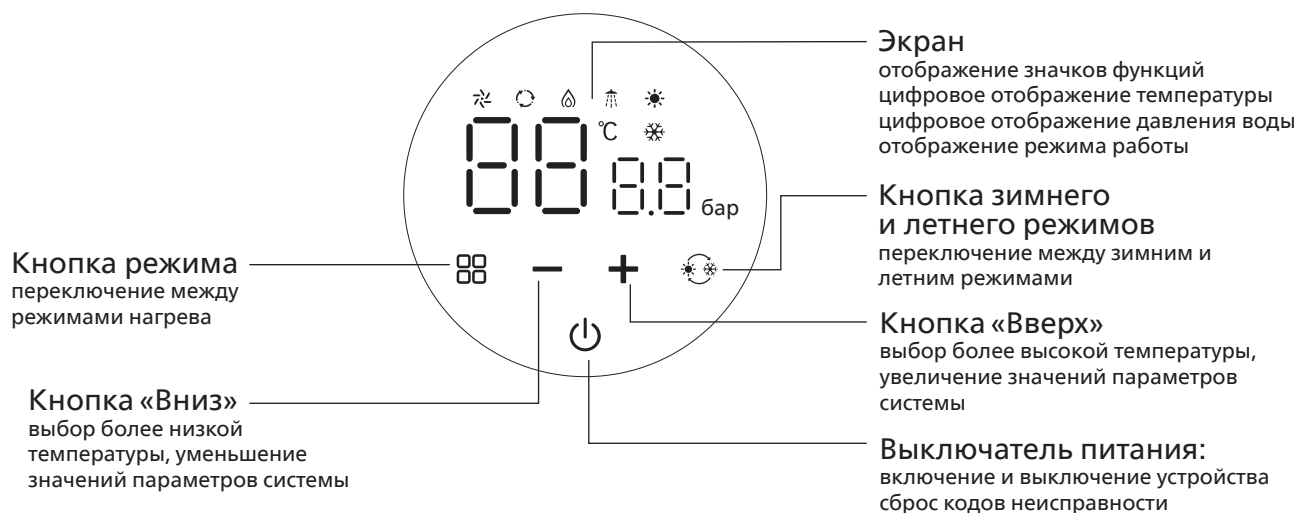
Примечание: Это изображение приведено исключительно для справки. Внешний вид фактического изделия может отличаться и может быть изменен без уведомления.



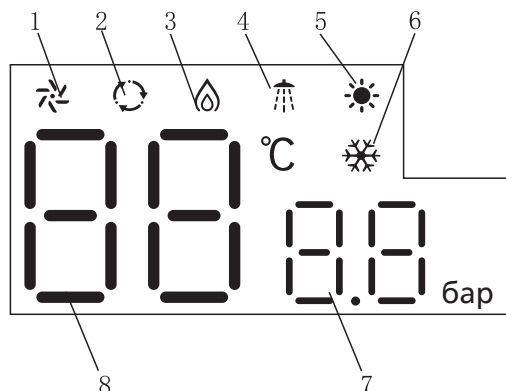


Примечание: Это изображение приведено исключительно для справки. Внешний вид фактического изделия может отличаться и может быть изменен без уведомления.

## Порядок использования



## Описание дисплея



- 1 Значок вентилятора
- 2 Значок используемого режима
- 3 Значок пламени
- 4 Значок включенной подачи горячей воды
- 5 Значок летнего режима
- 6 Значок зимнего режима
- 7 Индикатор давления воды и индикатор минут
- 8 Отображение температуры, программа, код неисправности, отображение времени

## Запуск и выбор режима

- A Состояние отключения: как показано на рис. 1 (заливка воды в систему отопления завершена).
- B Запустите устройство: нажмите кнопку питания, чтобы запустить устройство. На экране появится температура и последний выбранный режим, как показано на рис. 2.

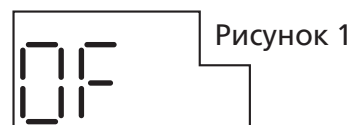


Рисунок 1

- C Регулировка температуры

- Регулировка температуры бытовой горячей воды. В зимнем и летнем режиме при использовании бытовой горячей воды нажмите кнопку «Вверх» или «Вниз», чтобы отрегулировать температуру воды.
- Диапазон регулировки температуры бытовой горячей воды: от 35 до 60 °C.
- Регулировка температуры воды в контуре отопления: В зимнем режиме нажмите кнопку «Вверх» или «Вниз», чтобы отрегулировать температуру воды в системе отопления. Обратите внимание, что это температура воды, а не температура воздуха в отапливаемых помещениях. При использовании отапливаемого пола температура воды может составлять около 45 °C, а при использовании радиаторов отопления — около 55 °C в зависимости от фактических потребностей. В летнем режиме температура не регулируется.
- Диапазон регулировки температуры отопления: 30–80 °C (режим радиаторов отопления), 30–60 °C (режим отапливаемого пола). При каждом нажатии кнопки «Вверх» или «Вниз» температура увеличивается или уменьшается на 1 °C. Если нужно непрерывно изменять значение температуры, нажмите и удерживайте кнопку «Вверх» или «Вниз». После настройки нужной температуры нажмите кнопку питания, чтобы сохранить выбранное значение и выйти из режима настройки. Если не нажимать никакие кнопки в течение 5 секунд, выбранное значение будет автоматически сохранено, устройство выйдет из режима настройки.

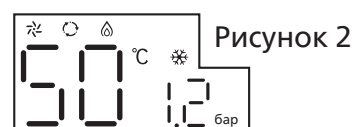


Рисунок 2

- D Переключение между зимним и летним режимами.

Состояние при включении питания. При каждом нажатии кнопки зимнего и летнего режимов будет однократно переключаться режим. Зимний режим. На экране отображается ❄, как показано на рис. 3. Когда отопление начнет работать, символ ❄ будет мигать. Если открыть кран бытовой горячей воды, устройство сразу переключится в зимний режим подачи бытовой горячей воды. При этом символ ❄ будет постоянно гореть, а символ ☀ – мигать.

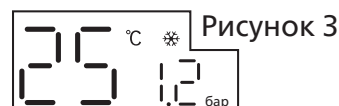


Рисунок 3





## Внимание

Перед включением горелки необходимо залить воду в систему отопления следующим образом.

Летний режим: дисплей выглядит, как показано на рис. 4. Если открыть кран бытовой горячей воды, дисплей начнет мигать. После закрытия крана бытовой горячей воды устройство перестанет работать и вернется в состояние ожидания.

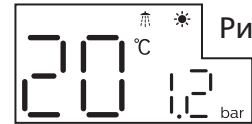





Рисунок 4

## Е Выбор режима

В зимнем режиме при работе системы отопления нажмите кнопку настройки  как показано на рис.5, для переключения между режимами. Может использоваться режим P0, P1, P2, P3, P4 или P5. На экране будет показан выбранный режим и время его работы. В режиме P0 значок  выключен, а в режимах P1–P5 значок  включен. Примечание. По умолчанию нагреватель работает в режиме P0.

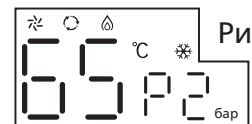


Рисунок 5

### ■ Экран в режиме ожидания

- Если не нажимать никакие кнопки в течение 30 секунд, яркость экрана снизится. Подсветка всех кнопок, кроме кнопки питания, погаснет. Нажмите любую кнопку, чтобы пробудить устройство из состояния ожидания. Экран включится с обычной яркостью. В случае сбоя таймера или при включении функции защиты от замерзания экран включится с обычной яркостью, на экране появится соответствующий код.

### ■ Отображение функции защиты от замерзания

- Когда включена защита от замерзания, на экране в области температуры будет показано «F d», как показано на рис. 6. На экране будет попеременно отображаться температура воды в контуре отопления и «F d». При этом «F d» будет отображаться в течение 2 секунд, а температура воды — в течение 3 секунд.
- Если устройство работает нормально, а режим защиты от замерзания не используется, «F d» не будет отображаться на экране.

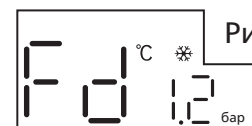


Рисунок 6

### ■ Настройка времени





- В выключенном состоянии нажмите и удерживайте кнопку  в течение 3 секунд, чтобы перейти в режим настройки часов. После ввода значения область отображения температуры будет мигать, в ней будет отображаться значение часов. В области манометра будет отображаться "10": это означает, что производится настройка часов. Выберите значение часов с помощью кнопок «Вверх» и «Вниз». Нажмите  чтобы перейти к настройке минут. В области отображения температуры будет мигать значение минут. В области манометра будет отображаться "01": это означает, что производится настройка минут. Выберите значение минут с помощью кнопок «Вверх» и «Вниз». Снова нажмите  чтобы перейти к настройке часов. Нажмите  или подождите 10 секунд, чтобы выйти из режима настройки часов.



Рисунок 7

# Параметры режимов

■ Время работы в режимах P0/P1/P2/P3/P4/P5

P0: круглосуточная работа

0	1	2	3	4	5	6	7	8	9	10	11
12	13	14	15	16	17	18	19	20	21	22	23

P1: экономичный режим

0	1	2	3	4	5	6	7	8	9	10	11
12	13	14	15	16	17	18	19	20	21	22	23

P2: комфортный режим

0	1	2	3	4	5	6	7	8	9	10	11
12	13	14	15	16	17	18	19	20	21	22	23

P3: режим рабочего дня (пользователь уходит на работу утром и возвращается домой вечером)

0	1	2	3	4	5	6	7	8	9	10	11
12	13	14	15	16	17	18	19	20	21	22	23

P4: режим рабочего дня с перерывом на обед (пользователь уходит на работу утром, но днем возвращается домой на обед)

0	1	2	3	4	5	6	7	8	9	10	11
12	13	14	15	16	17	18	19	20	21	22	23




P5: режим отпуска (пользователь не возвращается домой вечером)

0	1	2	3	4	5	6	7	8	9	10	11
12	13	14	15	16	17	18	19	20	21	22	23












Примечание. Темным выделено время работы водонагревателя.

■ Меры предосторожности

Для правильного и безопасного использования этого водонагревателя в инструкции используются различные символы и обозначения. Их перечень и описание приведены ниже. Перед использованием этого водонагревателя внимательно прочтите инструкцию.

	<b>Опасно</b>	Этот символ означает, что неверные действия пользователя могут повлечь серьезные последствия, в том числе гибель и тяжелые травмы.
	<b>Предупреждение</b>	Этот символ означает, что неверные действия пользователя могут повлечь серьезные последствия, в том числе гибель и тяжелые травмы.
	<b>Внимание</b>	Этот символ означает, что неверные действия пользователя могут привести к травмам и к повреждению имущества.

■ Значения всех символов приводятся ниже.

	Общее внимание		Общий запрет		Обязательное требование
	Опасность поражения электрическим током		Не размещать воспламеняющиеся вещества		Отключить вилку из розетки электросети
	Опасность возгорания		Не прикасаться		Заземление
	Высокая температура		Не разбирать		

 **Опасно**

Перед эксплуатацией устройства внимательно прочтите эту инструкцию.

Необходимо соблюдать предупреждения во избежание травм.

Безопасное использование газа

А. Не используйте газ, отличный от разрешенного регламентом. Это устройство может использовать только природный газ. Использовать другие газы нельзя.

В. При появлении запаха газа:

- Не дотрагивайтесь до электрических выключателей.
- Не используйте открытое пламя.
- Не используйте мобильные телефоны. Быстро перекройте газовые краны, откройте двери и окна.
- Попросите других лиц немедленно выйти из помещения
- Как только запах газа исчезнет, сразу же обратитесь в организацию газоснабжения.

подключение питания устройства

В электропроводке здания должно быть заземление. Кабель заземления устройства должен быть надежно подключен к контуру заземления. Запрещается устанавливать выключатель устройства в помещении, где находится ванна или душ.

Вилки и розетки должны быть сертифицированы надлежащим образом (электрические устройства класса I).

Монтаж, техническое обслуживание и настройка устройства машины должны производиться профессиональными специалистами, уполномоченными изготовителем.

Блокирующее устройство водонагревателя не подлежит регулировке.

Огнезащитное окно водонагревателя при работе нагревается. Не прикасайтесь к нему, чтобы не обжечься.



## Внимание

Перед установкой и эксплуатацией машины проверьте следующее.

- Подтвердите тип используемого газа.

Перед первым использованием водонагревателя или при переезде в другое место убедитесь, соответствует ли газ в газопроводе характеристикам на заводской табличке водонагревателя. Убедитесь, что давление газа и давление воды соответствуют требуемым.



**Обязательно**

- Проверьте подключение к электросети. Убедитесь, что вилка электропитания правильно подключена. Устройство предназначено для подключения к электросети переменного тока 220 В 50 Гц.



**Обязательно**

- Проверьте нагрев горячей воды.

В случае утечек или испарения горячей воды из контура отопления устройство не будет правильно работать. Долейте воду в контур отопления в соответствии с инструкцией. При первом использовании водонагревателя после установки и при повторном использовании системы отопления после слива воды залейте воду в контур отопления в соответствии с инструкцией.



**Обязательно**

- Проверьте газовый кран. Убедитесь, что кран газопровода, подключенного к водонагревателю, открыт.



**Обязательно**

- Проверьте краны отопления во всех комнатах. Убедитесь, что краны отопления во всех комнатах открыты.



**Обязательно**

Проверьте пространство вокруг газового водонагревателя

Газовый водонагреватель находится в хорошо проветриваемом месте?

- Не размещайте воспламеняющиеся и взрывоопасные вещества рядом с водонагревателем. Не сушите одежду на вытяжной трубе, поскольку это может привести к возгоранию.



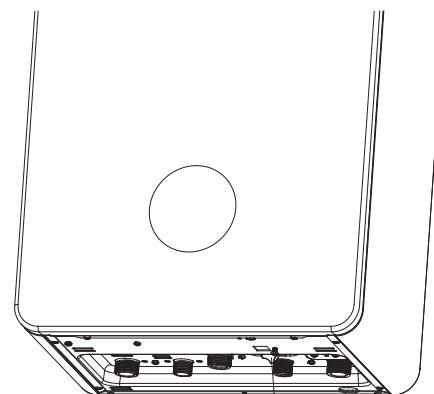
**Запрещено**



### Внимание

Пробное использование устройства. Перед пробным использованием необходимо выполнить следующие действия для подготовки.

- После окончания установки устройства требуется провести пробный запуск. Специалист по установке должен подробно ознакомить пользователя с порядком использования устройства и с мерами безопасности.
- Пока устройство не заполнено водой, не включайте электропитание устройства, чтобы насос не работал вхолостую, а нагреватель не работал без воды. Убедитесь, что все краны трубопроводов открыты: контур отопления не должен быть перекрыт.
- Убедитесь, что все краны трубопроводов открыты: контур отопления не должен быть перекрыт.
- Используйте чистую водопроводную воду. В районах с жесткой водой (содержание соединений кальция и магния превышает 450 мг/л) рекомендуется использовать средства, предотвращающие образование накипи.
- Откройте кран подачи воды, повернув его против часовой стрелки, включите переключатель подачи воды на устройстве. Значение давления воды на дисплее будет постепенно увеличиваться. Когда давление достигнет 0,1–0,15 МПа, отключите переключатель подачи воды и закройте кран подачи воды, повернув его по часовой стрелке.
- Если давление воды на входе слишком велико, т. е. превышает 0,3 МПа, то клапан сброса давления системы отопления автоматически сбросит давление. При этом из клапана сброса давления будет вытекать вода.
- После заливки воды подождите. Постоянно следите, нет ли протечек из всех соединений трубопроводов отопления. Кроме того, убедитесь, что значение давления воды на манометре не снижается.



Клапан заливки воды



### Внимание

Перед использованием устройства необходимо перекрыть кран заливки воды, повернув его по часовой стрелке, чтобы избежать протечек.

## Временное отключение

- При выключении питания путем нажатия кнопки питания (устройство переходит в состояние OF) функция нагрева воды в контурах отопления и бытовой горячей воды временно отключается.  
Предупреждение о защите от замерзания.
- Зимой даже в регионах с теплым климатом вода в водопроводе, в трубопроводах подачи и выпуска вода, а также непосредственно в водонагревателе может замерзнуть.
- При замерзании воды возможны повреждения водонагревателя и трубопроводов. Возможна протечка воды, неправильная и опасная работа водонагревателя (нагрев без воды и т. д.). Для полной теплоизоляции водяной трубы необходимо использовать соответствующий теплоизолирующий материал (приобретается пользователем).
- Гарантия не распространяется на ремонт повреждений, вызванных замерзанием. Для защиты устройства от замерзания выполните следующие действия.
- Убедитесь, что водонагреватель подключен к электросети. Защита этого изделия от замерзания работает лишь при включенном электропитании. Если вода из трубопровода системы отопления слита, не подключайте водонагреватель к электросети. Убедитесь, что газовый кран водонагревателя открыт. Для защиты изделия от замерзания при крайне низкой температуре требуется кратковременное включение горения. Дополнительная защита от замерзания. Защита от замерзания первого уровня. Когда устройство находится в режиме ожидания, при остывании воды в контуре отопления до температуры 8 °C будет включен режим защиты от замерзания первого уровня, водяной насос будет циклически включаться (2 минуты работы, затем остановка на 2 минуты). Когда температура воды превысит 10 °C, водяной насос остановится, а устройство выйдет из режима защиты от замерзания первого уровня. Защита от замерзания второго уровня. Когда устройство находится в режиме ожидания, при остывании воды в контуре отопления до температуры 5 °C будет запущен режим защиты от замерзания второго уровня. Будет включен водяной насос, а через 120 секунд произойдет зажигание и будет включен нагрев. Когда температура воды в контуре отопления достигнет 25 °C, нагрев прекратится, а водяной насос продолжит работать еще 30 минут. После этого водяной насос остановится, а устройство выйдет из режима защиты от замерзания второго уровня. Примечание. Невозможно включить режим защиты от замерзания первого уровня при отключенном электропитании. Невозможно включить режим защиты от замерзания второго уровня при отключенном электропитании и перекрытой подаче газа.



- Если устройство не используется в течение длительного времени, обеспечьте защиту устройства от замерзания следующим образом.
- Если не предполагается использовать устройство в течение длительного времени зимой, извлеките вилку из розетки электросети, перекройте кран впуска воды и слейте воду из устройства. Можно слить воду только из контура бытовой горячей воды и добавить незамерзающую жидкость в контур отопления.

## Регулярная проверка

### ■ Проверка и обслуживание

- Поддерживайте газовый водонагреватель и окружающее пространство в чистоте.
- Регулярно проверяйте давление воды в системе отопления с помощью манометра. Если давление воды не превышает 1 бар, своевременно долейте воду в систему отопления.
- Если при включении системы отопления помещение не нагревается, возможно, трубопровод системы отопления засорен. В этом случае прочистите фильтр в системе отопления.

### ■ На что следует обращать внимание при проверке

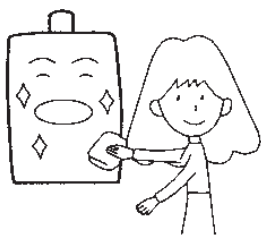
- Находятся ли воспламеняющиеся материалы рядом с устройством и с вытяжной трубой?
- Вытяжная труба ненадежно закреплена, повреждена или заблокирована?
- Нормально ли выглядит газовый водонагреватель снаружи?
- Газовый водонагреватель находится в хорошо проветриваемом месте?
- Проверьте правильность горения. При использовании слышен ненормальный звук?
- Нет ли протечек в трубопроводах воды и газа? (Чтобы проверить утечки газа, нанесите мыльный раствор на соединения газового трубопровода).

### ■ Техническое обслуживание

№	Действия	Основное содержимое	Основное действие	Выборочное действие
1	Извлеките вилку водонагревателя из розетки электросети, отключите питание, перекройте газовый кран и кран подачи воды.		●	
2	Сбросьте давление и слейте воду из контура отопления и контура бытовой горячей воды.		●	
3	Очистите главный теплообменник, при необходимости снимите его для осмотра.	Убедитесь в отсутствии нагара снаружи и накипи внутри.		●
4	Прочистите основную горелку.	Убедитесь, что форсунки не засорены.		●
5	Снимите пластинчатый теплообменник (только для устройств со сменными пластинами).	Убедитесь в отсутствии накипи внутри.		●
6	Снимите узел фильтра холодной воды и датчик потока воды.	Убедитесь, что форсунки не засорены.	●	
7	Проверьте давление предварительной заливки в баке расширения.	Убедитесь, что форсунки не засорены.	●	
8	Проверьте правильность подключения силовых и сигнальных кабелей. Убедитесь, что кабели не повреждены и не ослабли.		●	
9	Проверьте надежность соединений труб вытяжной системы.		●	
10	Установите на место снятые ранее детали.		●	
11	Заново залейте воду в систему. Проверьте, повышается ли давление воды в системе.		●	
12	Включите питание, откройте газовый кран и кран подачи воды.		●	
13	Проверьте воспламенение и сгорание газа, проверьте технические характеристики горения.	Убедитесь, что форсунки не засорены.		
14	Проверьте периферийные устройства.			
15	Полностью установите устройство и очистите его.			

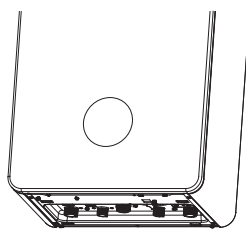
## ■ Осмотр и обслуживание

### Загрязнение газового водонагревателя



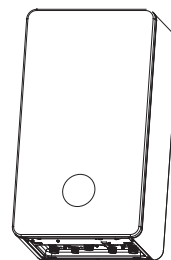
Протрите тканью или губкой, смоченной нейтральным чистящим средством.

### Очистка фильтрующего узла



Регулярно прочищайте фильтрующий узел, чтобы обеспечить свободный ток воды. Если фильтрующий узел засорен, водонагреватель не запустится.

### Обнаружение утечек из газопровода



Щеткой нанесите горячий мыльный раствор на все соединения газопровода. Если появляются пузырьки, это означает утечку газа.

## Регулярная проверка

- При долгосрочной эксплуатации рекомендуется проводить регулярную проверку ежегодно. Для этого обратитесь в местную организацию газоснабжения.



## Устранение неполадок

- При возникновении следующих неполадок их причина может быть не связана с устройством. Изучите ситуацию, чтобы установить причину неполадок. Если требуется обслуживание устройства, обратитесь в нашу сервисную службу.

Неполадка	Порядок обслуживания
Устройство не запускается, не работает при включенном питании, вода в водопроводе горячей воды не нагревается, вода в системе отопления не нагревается.	Убедитесь в отсутствии перебоев в электросети. Возможно, в сети был скачок напряжения, вследствие чего сработал предохранитель устройства.
	Проверьте, не перекрыт ли газовый кран. Убедитесь в равномерной подаче газа.
Затрудненное зажигание при первом включении.	На дисплее устройства отображается код ошибки?
	Попадание воздуха в газораспределительную трубу. Закройте кран горячей воды и снова откройте его.
Когда кран горячей воды немного приоткрыт, из него не вытекает горячая вода.	Если поток воды слабее минимального, необходимого для включения, водонагреватель не включит зажигание. Снова откройте кран горячей воды. При недостаточном потоке воды газовый водонагреватель не будет включаться. Увеличьте поток воды, затем откройте кран, чтобы водонагреватель включился.
Из вытяжной трубы выходит пар Горячая вода не прозрачная, а белая.	
Вентилятор продолжает работать в течение короткого времени после закрытия крана горячей воды.	Газ, поступающий в вытяжную трубу, содержит водяной пар. При соприкосновении с холодным воздухом вне помещения пар становится белым.  Горячая вода становится белой из-за воздуха, растворенного в воде.  Вентилятор может продолжать работу после прекращения нагрева, поскольку необходимо удалить продукты сгорания из камеры сгорания.

- Если на экране водонагревателя отображается один из следующих кодов ошибки, это означает, что произошел сбой устройства. В этом случае отключите питание устройства, затем включите его снова. Если код ошибки появится снова, обратитесь в сервисную службу Philips.

Код ошибки	описание сбоя	причина сбоя
E1	неисправность зажигания	заблокировано
E2	защита от перегрева	заблокировано
E3	защита от ветрового напора	автоматическое восстановление
E4	защита от низкого давления воды	автоматическое восстановление
E5	неисправность цепи главного газового клапана	заблокировано
E6	неисправность датчика температуры бытовой горячей воды	автоматическое восстановление
E7	неисправность датчика температуры воды в контуре отопления	автоматическое восстановление
E8	неисправность датчика перегрева в контуре отопления	автоматическое восстановление
E9	неисправность или замерзание	заблокировано
EA	неисправность газового клапана	заблокировано
EL	конденсация воды	заблокировано
EN	ненормальное напряжение	автоматическое восстановление
EE	неисправность датчика температуры воды на входе	автоматическое восстановление
Eb	неисправность датчика перегрева бытовой горячей воды	автоматическое восстановление

## Технические характеристики

Основные технические характеристики	Название изделия		Газовый водонагреватель		
	Модель		AWN7305/51(B20C1)	AWN7306/51(B24C1)	
	Установка		Настенное крепление внутри помещений		
	Вытяжка		Принудительная вытяжка		
	Зажигание		Непрерывный электрический разряд		
	Габариты (мм) Ш*В*Г		700X400X308		
	Масса нетто / масса брутто (кг)		31,9/34,5	32,6/35,2	
	Емкость расширительного бака		6 л		
	Соединение	Входной патрубок газа		G 3/4	
		Отопление, выпуск/обратный ток		G 3/4	
Бытовая горячая вода, выпуск/вход		G 3/2			
Характеристики газа	Шум		≤48 дБ		
	Эффективность нагрева		Энергетическая эффективность: уровень 2		
	Номинальная потребляемая мощность нагрева отопления (кВт)			27,0	
	Мин. потребляемая мощность нагрева отопления (кВт)		22,0	10,0	
	Номинальная мощность нагрева отопления (кВт)		8,1	24,0	
	Мин. выходная мощность нагрева отопления (кВт)		20,0	8,8	
	Номинальная потребляемая мощность нагрева бытовой горячей воды (кВт)		7,1	27,0	
	Поток газа	макс. (куб. м/ч)		2,3	2,8
		мин. (куб. м/ч)		0,84	1,04
	Характеристик и газа	Высокое давление		1120	1160
		Низкое давление		150	120
	Отапливаемая площадь (кв. м)		120	140	
	Давление газа (Па)		Природный газ 1274		
	Макс. давление воды в системе отопления (МПа)		0,3		
	давление бытовой горячей воды (МПа)		0,04-0,6		
Эксплуатационные характеристики	Номинальная производительность нагрева воды	(Δ=25K)	11 кг/мин.	13,7 кг/мин.	
		(Δ=30K)	9,2 кг/мин.	11,4 кг/мин.	
	Диапазон регулировки температуры	Бытовая горячая вода		35–60 °C	
		Отопление: режим отапливаемого пола		30–60 °C	
		Отопление: режим радиаторов отопления		30–80 °C	
	Тип защиты от поражения электрическим током		Класс 1		
	Напряжение, частота		220 В ~ 50 Гц		
	Класс водонепроницаемости		IPX4D		
	Высота нагнетания циркуляционного насоса		6 м		
	Мощность циркуляционного насоса		100 Вт		
	Потребляемая мощность при мин. расходе газа		105 Вт		
	Мощность в режиме ожидания		2 Вт		
Номинальная мощность		115 Вт	125 Вт		

■ Характеристики производительности циркуляционного насоса

